



Highbridge®
60" x 32" alcove bath, left drain
K-877-S

Features

- Comfort Depth® design makes it easier to get in and out of the bath
- Enameled and recessed apron offers easier access and custom storage under bath
- Integral flange helps prevent water from seeping behind wall and simplifies alcove installation
- Safeguard® slip-resistant surface provides excellent traction underfoot

Material

- KOHLER® enameled cast iron

Installation

- Left drain
- Alcove

Required Products/Accessories

K-7214 27" Cable Bath Drain

or

K-7259 Brass toe tap bath drain

Recommended Products/Accessories

K-1601 Bath/whirlpool footstop, removable
K-14426 Wall-mount bath spout
K-14427 Wall-mount bath spout
K-23726 Drain treatment
K-23725 Cast iron cleaner
K-31798 Bath drain kit



ADA

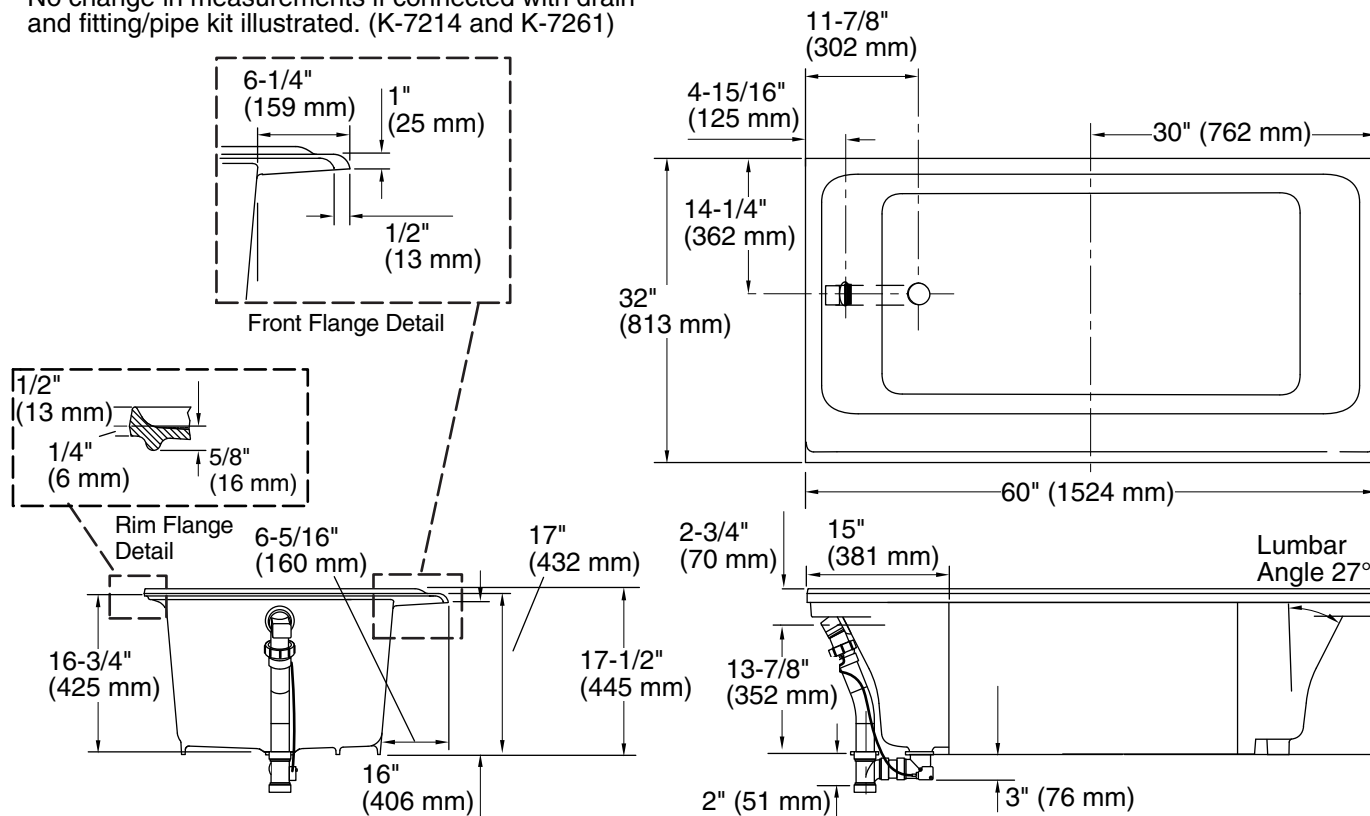
Codes/Standards

ASME A112.19.1/CSA B45.2
ASTM F462
ADA
ICC/ANSI A117.1
IAPMO Certification

KOHLER® Enameled Cast Iron Bath and Shower Base Lifetime Limited Warranty

See website for detailed warranty information.

No change in measurements if connected with drain and fitting/pipe kit illustrated. (K-7214 and K-7261)



Technical Information

All product dimensions are nominal.

Drain location:	Left
Basin area, bottom:	43-7/8" x 20-15/16" (1114 mm x 532 mm)
Basin area, top:	53-3/16" x 23-5/16" (1351 mm x 592 mm)
Weight:	275 lbs (124.7 kg)
Minimum floor load:	54 lbs/ft ² (263.7 kg/m ²)
Water depth:	12-13/16" (325 mm)
Water capacity:	49.5 gal (187.4 L)
Minimum flat for door:	4" (101 mm)

Notes

Measure your actual product for rough-in details.

Install this product according to the installation instructions.

The hot water supply should be 70% of the capacity of the bath or greater. Installations will vary.

ADA compliant when installed to the specific requirements of these regulations.