

Features

- Allows handshower to be raised or lowered to desired height for a customized showering experience
- For use with a handshower (sold separately)
- 2-11/16" (68 mm) x 2-1/2" (64 mm) x 24-3/4" (629 mm)

Material

- Durable metal construction
- KOHLER® finishes resist corrosion and tarnishing

Installation

- Wall-mount

Required Products/Accessories

K-21335 Round two-function handshower, 2.5 gpm

or

K-21335-G Round two-function handshower, 1.75 gpm

or

K-21336 Square two-function handshower, 2.5 gpm

or

K-21336-G Square two-function handshower, 1.75 gpm

Recommended Products/Accessories

K-23723 Faucet cleaner



ADA

Codes/Standards

ASME A112.18.1/CSA B125.1

ADA

ICC/ANSI A117.1


KOHLER® Faucet Lifetime Limited Warranty

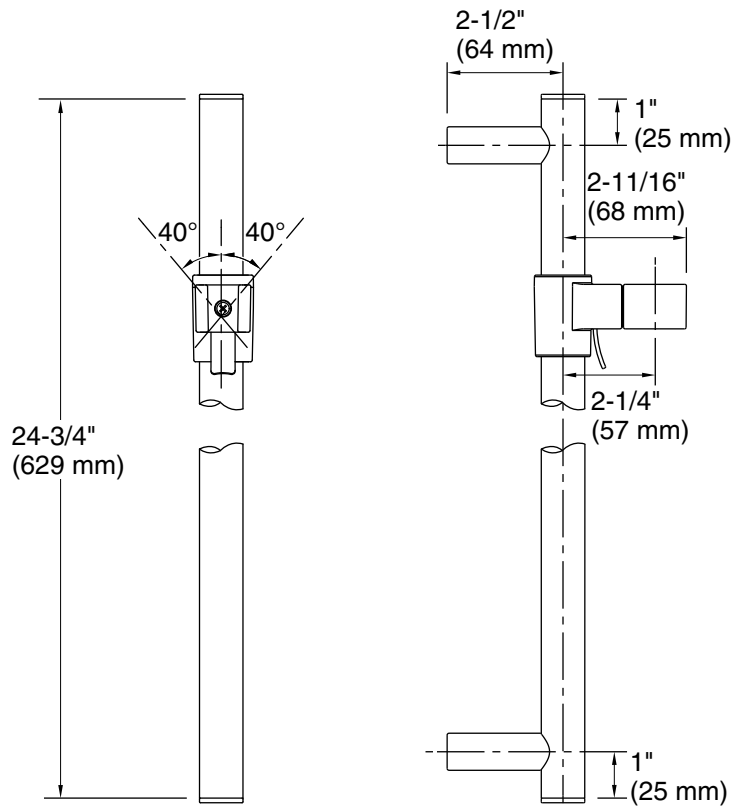
See website for detailed warranty information.

Available Colors/Finishes

Color tiles intended for reference only.

Color Code Description

	CP	Polished Chrome
	BN	Vibrant® Brushed Nickel



Technical Information

All product dimensions are nominal.

Handshower:

Rated maximum flow: 0 gal/min (0 l/min)

Notes

Install this product according to the installation guide.

ADA compliant when installed to the specific requirements of these regulations.