

### Features

- Pressure-compensating flow control to deliver a splatter-free column of water
- 0.8" (20 mm) orifice to optimize performance
- Easy-to-access cartridge for cleaning and replacement
- Complements Purist faucets and accessories

### Material

- Solid-brass construction for durability and reliability
- KOHLER® finishes resist corrosion and tarnishing

### Installation

- Wall- or ceiling-mount

### Recommended Products/Accessories

K-23723 Faucet cleaner

### Optional Products/Accessories

K-924 Optional Drip Tray



### Codes/Standards


ASME A112.18.1/CSA B125.1  
IAPMO Certification

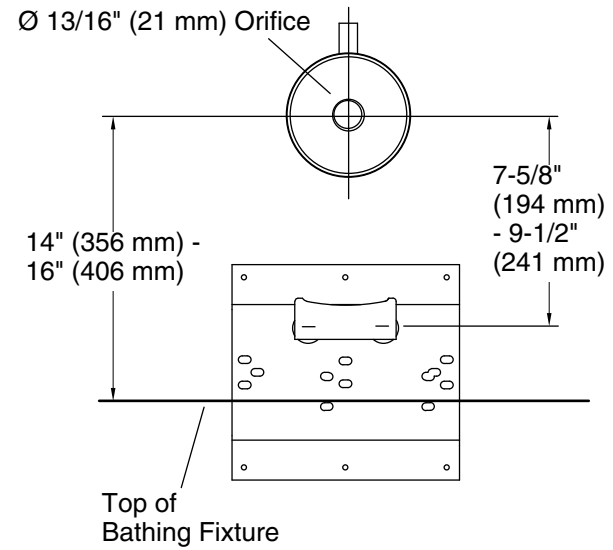
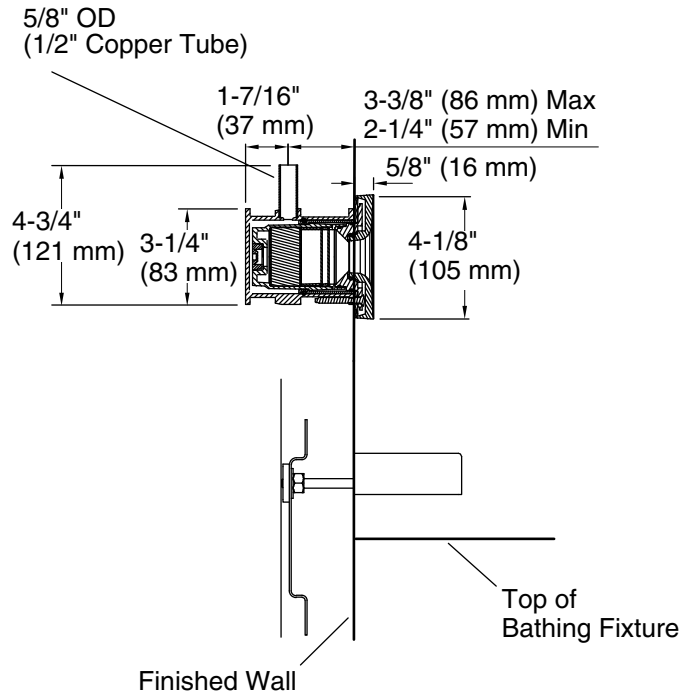
### KOHLER® Faucet Lifetime Limited Warranty

See website for detailed warranty information.

### Available Colors/Finishes

*Color tiles intended for reference only.*

Color	Code	Description
	CP	Polished Chrome
	AF	Vibrant® French Gold
	BN	Vibrant® Brushed Nickel



### Technical Information

All product dimensions are nominal.

Drain included: No

### Spout:

### Handshower:

Rated maximum flow: 0 gal/min (0 l/min)

### Notes

Install this product according to the installation guide.

For ceiling-mount installation, product must be mounted a maximum of 9' (2.74 m) above the bath/whirlpool floor.

Drip tray is an optional accessory available for wall-mount installation only.

Ensure a minimum of 36" (914 mm) of straight piping prior to the spout.

Minimize the number of 90 degree elbows between the mixing valve and the spout.

When a deck mounted transfer valve (K-408-K or K-409-K) is used for a ceiling mount, install a check valve between the spout and the diverter.

Flow rate is 5-10 gal/min (18.9-37.9 l/min).

Splashing may occur if the flow rate is less than 5 gal/min (18.9 l/min).