

### Features

- Right-hand Polished Chrome trip lever
- For use with Cimarron Comfort Height® toilets

### Material

- Solid-brass construction for durability and reliability
- KOHLER finishes resist corrosion and tarnishing

### Recommended Products/Accessories

K-23723 Faucet cleaner



ADA CSA B651 OBC

### Codes/Standards

ASME A112.18.1/CSA B125.1

ADA

ICC/ANSI A117.1

CSA B651

OBC

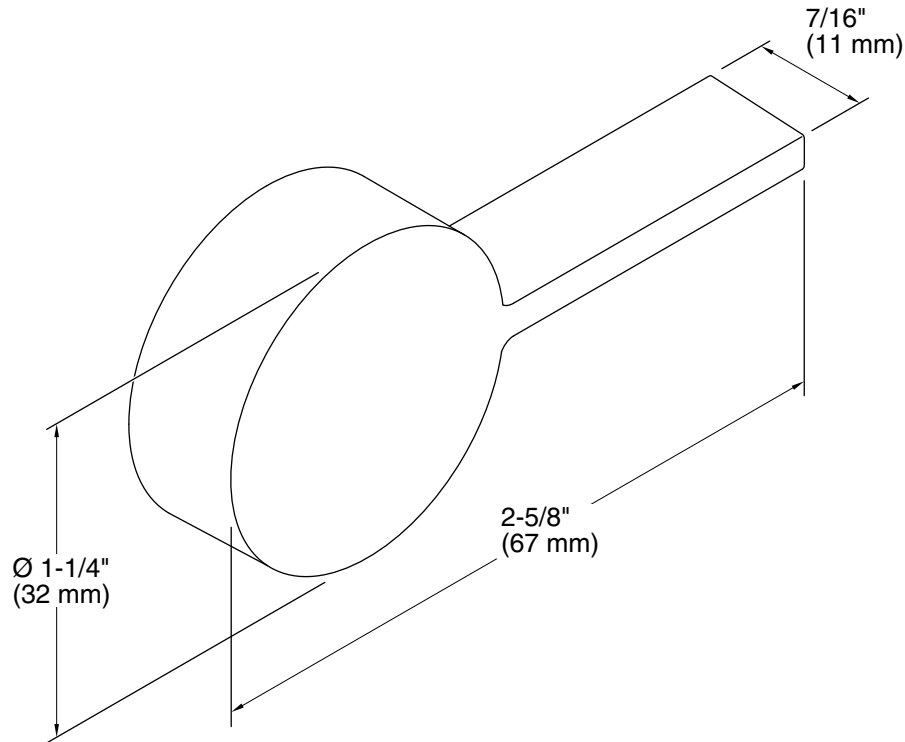
### KOHLER® One-Year Limited Warranty

See website for detailed warranty information.

### Available Colors/Finishes

*Color tiles intended for reference only.*

Color	Code	Description
	SN	Vibrant® Polished Nickel
	AF	Vibrant® French Gold
	BN	Vibrant® Brushed Nickel
	2BZ	Oil-Rubbed Bronze
	BL	Matte Black
	2MB	Vibrant® Brushed Moderne Brass
	TT	Vibrant Titanium



### Technical Information

All product dimensions are nominal.

Material: Brass

### Notes

ADA, OBC, CSA B651 compliant when installed to the specific requirements of these regulations.