



**Memoirs®**

48" x 36" left-hand drain shower base w/integral seat  
**K-9486**

### Features

- Integral seat design for comfort
- Single threshold for three-wall installation
- Coordinates with other products in the Memoirs collection

### Material

- Acrylic

### Installation

- Left drain

### Recommended Products/Accessories

K-706008-D3 Frameless Sliding Shower Door  
K-706008-L Frameless Sliding Shower Door  
K-706014-D3 Frameless Sliding Shower Door  
K-706014-L Frameless Sliding Shower Door  
K-5526 7 kW steam generator  
K-9132 Shower Drain  
K-23726 Drain treatment  
K-23732 Tub & shower cleaner



### Codes/Standards

ASME A112.19.1/CSA B45.2  
CSA B45.5/IAPMO Z124  
ASTM E162  
ASTM E662  
IAPMO Certification

### **KOHLER® Plastic Baths and Receptors Lifetime Limited Warranty**

See website for detailed warranty information.

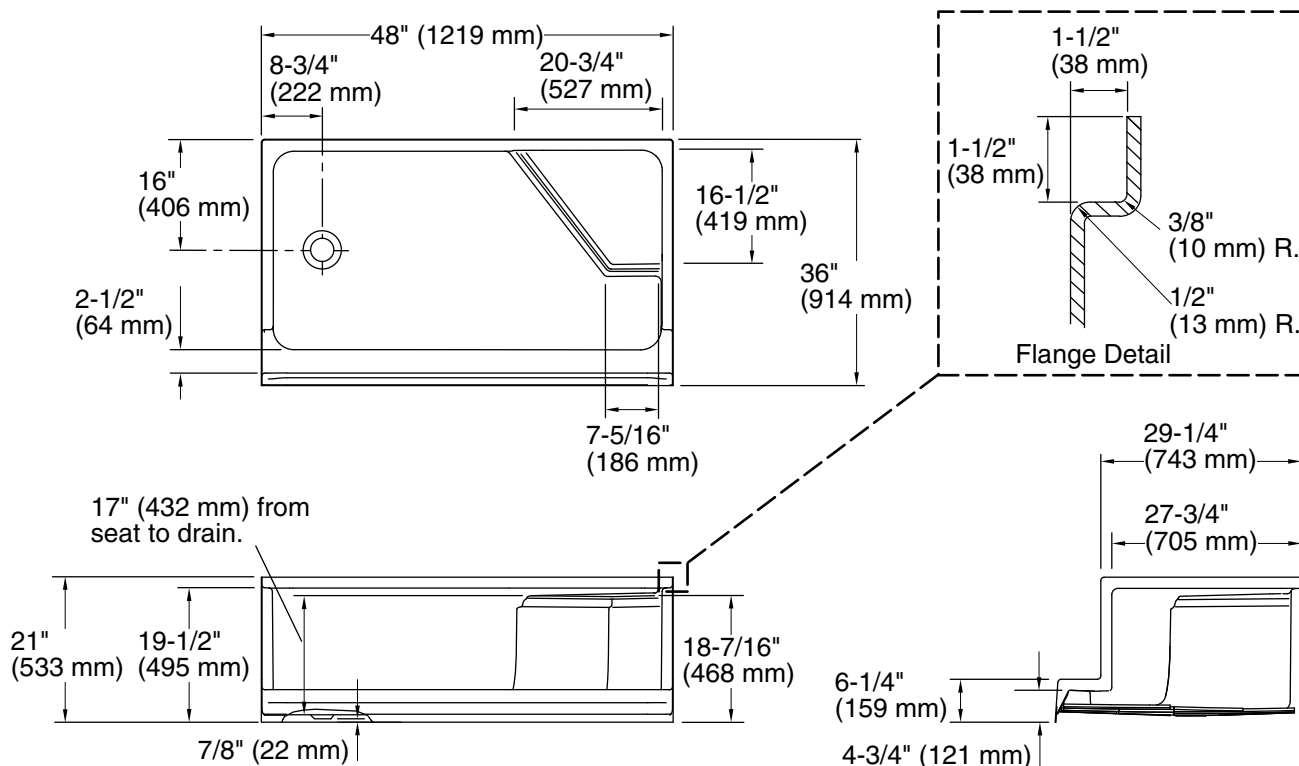
1-800-4KOHLER (1-800-456-4537)

Kohler Co. reserves the right to make revisions without notice to product specifications.

For the most current Specification Sheet, go to [www.kohler.com](http://www.kohler.com) USA or [www.kohler.ca](http://www.kohler.ca) Canada

7-17-2024 22:35 - US

THE BOLD LOOK  
OF **KOHLER®**



## Technical Information

All product dimensions are nominal.

Drain location:	Left
Weight:	70 lbs (31.8 kg)
Minimum floor load:	21 lbs/ft <sup>2</sup> (102.5 kg/m <sup>2</sup> )

## Notes

Measure your actual product for rough-in details.

Install this product according to the installation instructions.

Shimming may be required to level the fixture.

Shimming may be required between the stud frame and the fixture.

Stud opening tolerance is + 1/4" (6 mm), - 0" (0 mm).