



Wellcomme™ Ultra

Floor-mount top spud flushometer bowl w/ bedpan lugs
K-96053-L

Features

- Elongated bowl, standard height
- 1-1/2" (38 mm) top spud
- Bedpan lugs. Also available with antimicrobial finish K-96053-SSL
- 10" or 12" (254 or 305 mm) rough-in
- Replaces Wellcomme K-4350-L and Wellworth K-4406-L
- 10" x 7" (254 mm x 178 mm) water surface
- 1.0 gpf (3.8 lpf), 1.1 gpf (4.2 lpf), 1.28 (4.8 lpf), or 1.6 gpf (6.0 lpf) depending on flushometer specified
- 2-1/8" (54 mm) fully glazed trapway

Material

- Vitreous china

Technology

- Designed to outperform competitors in bowl cleanliness and plug resistance
- Maximum waste removal
- Improved toilet seat cover removal
- Excellent bowl rinse
- Engineered to flush effectively in buildings with low supply pressure and flow
- Maximum drain line carry at all flush volumes per ASME standard



Codes/Standards



ASME A112.19.2/CSA B45.1
DOE - Energy Policy Act 1992
EPA WaterSense®
California Energy Commission (CEC)
IAPMO Certification

KOHLER® One-Year Limited Warranty

See website for detailed warranty information.

Available Colors/Finishes

Color tiles intended for reference only.

Color	Code	Description
	0	White
	7	Black Black™

1-800-4KOHLER (1-800-456-4537)

Kohler Co. reserves the right to make revisions without notice to product specifications.

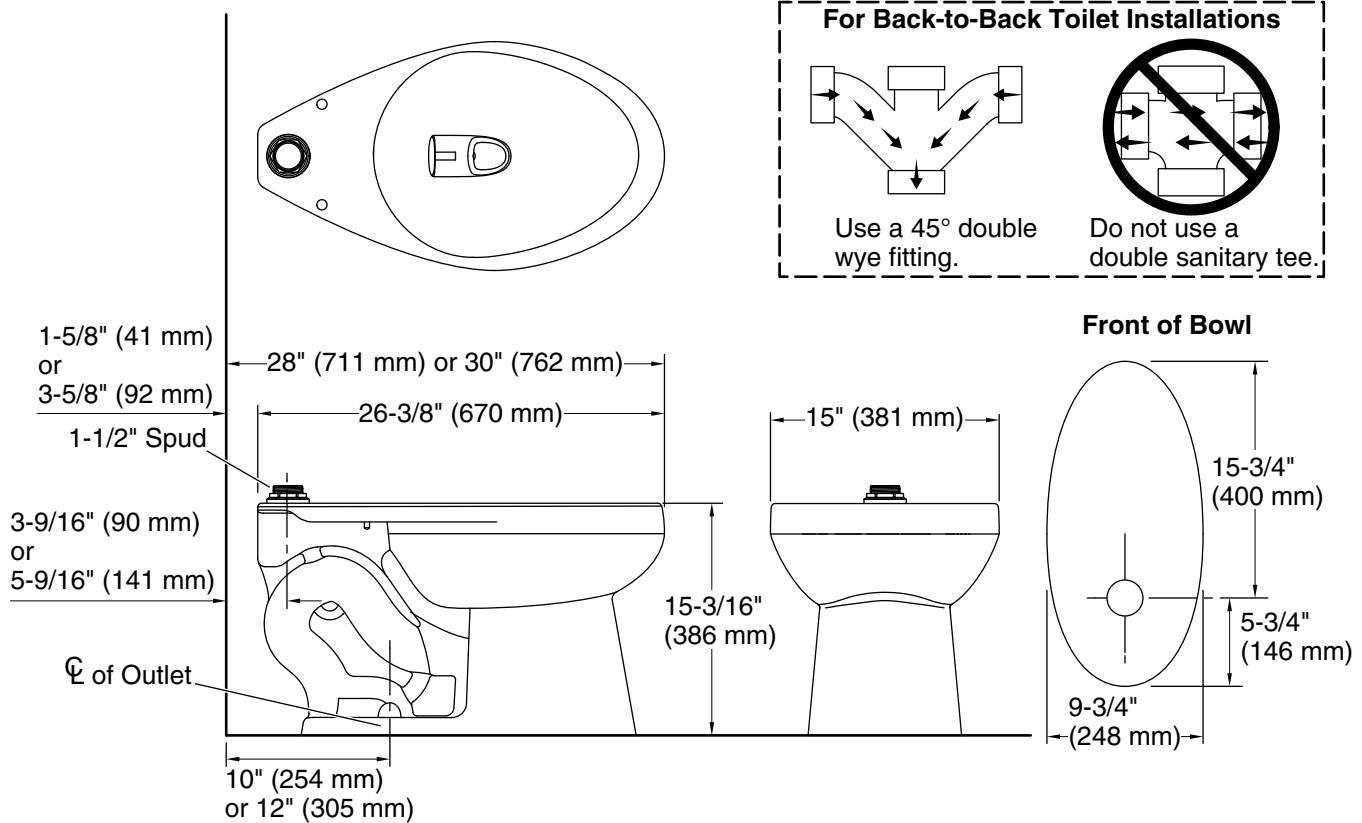
For the most current Specification Sheet, go to www.kohler.com USA or www.kohler.ca Canada

7-8-2024 20:17 - US

THE BOLD LOOK
OF **KOHLER**®



Wellcomme™ Ultra
 Floor-mount top spud flushometer bowl w/ bedpan
 lugs
K-96053-L



Technical Information

- All product dimensions are nominal.
- Toilet type: Floor-mount
 Waste Outlet: Floor
 Bowl shape: Elongated
 Flush type: Flushometer valve siphon
 Spud size: 1-1/2", Inlet, Top
 Trap passageway: 2-1/8" (54 mm)
 Water surface size: 10" x 7" (254 mm x 178 mm)
 Rim to water surface: 6" (152 mm)
 Rough-in: 12" (305 mm)
 Seat-mounting holes: 5-1/2" (140 mm)

Fixture Supply Requirements

- Min static pressure: 35 psi (241.3 kPa)
 Max static pressure: 80 psi (551.6 kPa)
 Min flowing pressure: 25 psi (172.4 kPa)

Min flow rate: 0.5 gpm (0.4 lpm)

1-800-4KOHLER (1-800-456-4537)

Kohler Co. reserves the right to make revisions without notice to product specifications.

For the most current Specification Sheet, go to www.kohler.com USA or www.kohler.ca Canada

7-8-2024 20:17 - US

Notes

Install this product according to the installation instructions.

For back-to-back toilet installations: Use only a 45° double wye fitting.

If Fixture Supply Pressure is below 35 psi static, then fixture must be paired with a valve rated at 1.28 gpf or greater.

Requires flushometer valve to match desired water consumption 1.1 gpf (4.3 lpf) or 1.28 gpf (4.8 lpf) or 1.6 gpf (6 lpf).

