

Features

- Elongated bowl offers added room and comfort
- 4-bolt base for added stability
- 1-1/2" (38 mm) top spud
- 10" x 7" (254 mm x 178 mm) water surface
- 10" or 12" (254 or 305 mm) rough-in
- 2-1/8" (54 mm) fully glazed trapway

Material

- Vitreous china

Technology

- Designed to outperform competitors in bowl cleanliness and plug resistance
- Maximum waste removal
- Engineered for toilet seat cover removal
- Excellent bowl rinse
- Engineered to flush effectively in buildings with low supply pressure and flow
- Maximum drain line carry at all flush volumes per ASME standard

Installation

- Replaces Highcliff K-4368-B. Height and footprint may vary



ADA

CSA B651

OBC

Codes/Standards

ASME A112.19.2/CSA B45.1
DOE - Energy Policy Act 1992
EPA WaterSense®
California Energy Commission (CEC)
ADA
ICC/ANSI A117.1
CSA B651
OBC
IAPMO Certification


KOHLER® One-Year Limited Warranty

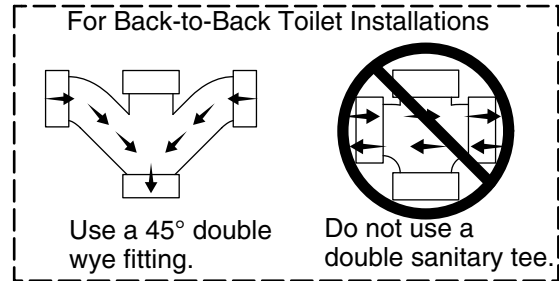
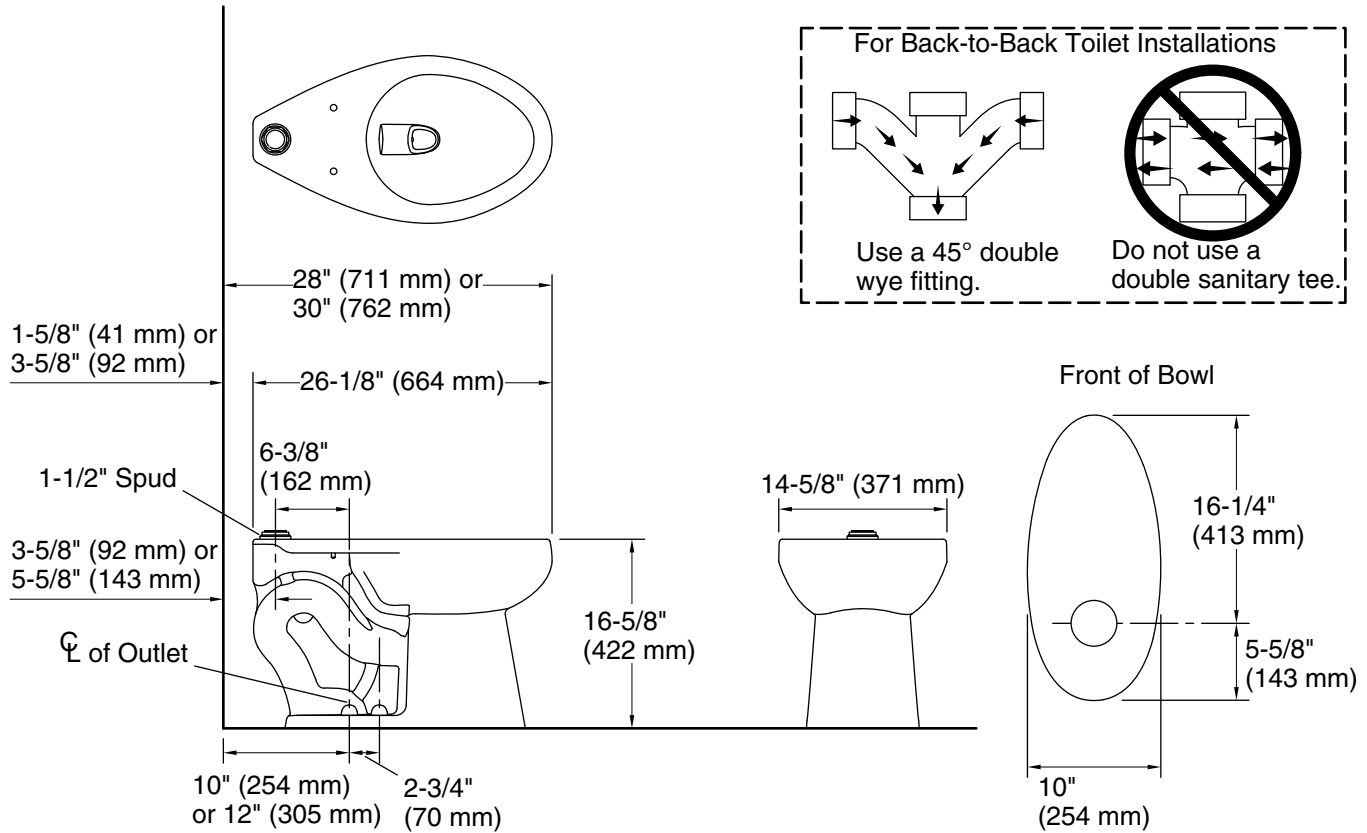
See website for detailed warranty information.

Available Colors/Finishes

Color tiles intended for reference only.

Color	Code	Description
-------	------	-------------

	0	White
---	---	-------



Technical Information

All product dimensions are nominal.

Toilet type:	Floor-mount
Waste Outlet:	Floor
Bowl shape:	Elongated
Flush type:	Flushometer valve siphon
Spud size:	Inlet, Top
Trap passageway:	2-1/8" (54 mm)
Water surface size:	10" x 7" (254 mm x 178 mm)
Rim to water surface:	6" (152 mm)
Rough-in:	12" (305 mm)
Seat-mounting holes:	5-1/2" (140 mm)

Fixture Supply Requirements

Min static pressure:	35 psi (241.3 kPa)
Max static pressure:	80 psi (551.6 kPa)
Min flowing pressure:	25 psi (172.4 kPa)

Min flow rate: 0.5 gpm (0.4 lpm)

1-800-4KOHLER (1-800-456-4537)

Kohler Co. reserves the right to make revisions without notice to product specifications.

For the most current Specification Sheet, go to www.kohler.com USA or www.kohler.ca Canada

7-8-2024 20:35 - US

Notes

Install this product according to the installation instructions.

For back-to-back toilet installations: Use only a 45° double wye fitting.

ADA, OBC, CSA B651 compliant when installed to the specific requirements of these regulations.

Plumbing codes may require elongated toilets and elongated, open-front seats in public bathrooms.

Accessibility standards may require controls to be located on the open side of the toilet.