

### Features

- Elongated, 10-1/2" height bowl
- Antimicrobial finish inhibits the growth of mold-, mildew-, stain-, and odor-causing bacteria on the fixture surface. This product does not protect users against bacteria, viruses, or other disease organisms. Always clean and wash this product thoroughly before and after each use
- 10" x 7" (254 mm x 178 mm) water surface
- 1-7/8" (48 mm) fully glazed trapway
- 10" or 12" (254 or 305 mm) rough-in
- The ultra-low water consumption is ideal for water conservation and can help earn Water Efficiency points in the LEED® Green Building Rating System
- Includes toilet seat with scalloped handhold locations
- 1-1/2" (38 mm) top spud
- 1.28 gpf - 1.6 gpf (4.8 - 6.0 lpf) flush range

### Material

- Vitreous china

### Technology

- Designed to outperform competitors in bowl cleanliness and plug resistance
- Excellent bowl rinse
- Maximum drain line carry at all flush volumes per ASME standard

### Installation

- Children's height bowl
- Replaces Primary K-4321 and K-4384. Height and footprint may vary



ADA

### Codes/Standards

ASME A112.19.2/CSA B45.1  
DOE - Energy Policy Act 1992  
EPA WaterSense®  
California Energy Commission (CEC)  
ADA  
ICC/ANSI A117.1  
IAPMO Certification

### KOHLER® One-Year Limited Warranty

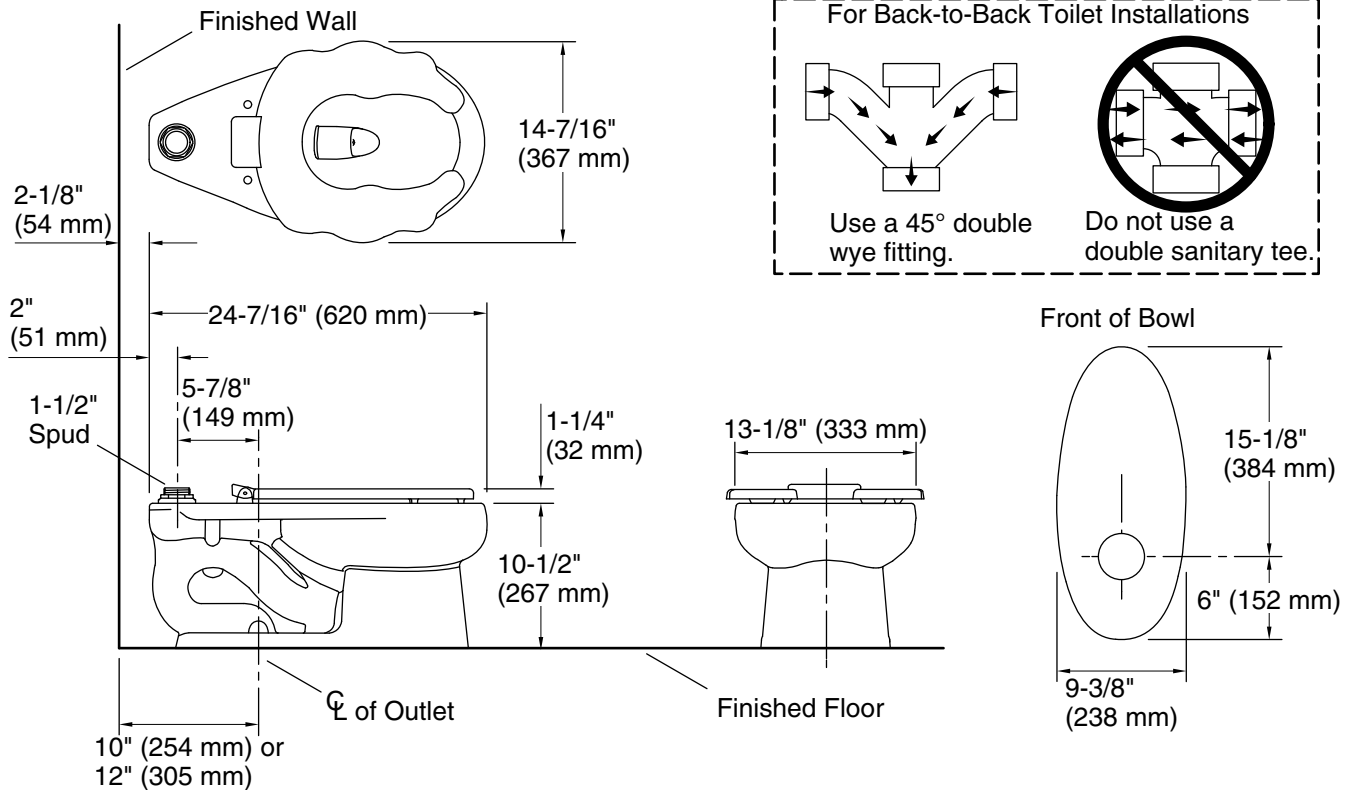
See website for detailed warranty information.

### Available Colors/Finishes

*Color tiles intended for reference only.*

Color	Code	Description
-------	------	-------------

	0	White
---	---	-------



### Technical Information

All product dimensions are nominal.

Toilet type:	Floor-mount
Waste Outlet:	Floor
Bowl shape:	Elongated
Flush type:	Flushometer valve siphon
Spud size:	1-1/2", Inlet, Top
Trap passageway:	1-15/16" (49 mm)
Water surface size:	10" x 7" (254 mm x 178 mm)
Rim to water surface:	4-3/8" (111 mm)
Rough-in:	12" (305 mm)

### Fixture Supply Requirements

Min static pressure:	35 psi (241.3 kPa)
Max static pressure:	80 psi (551.6 kPa)
Min flowing pressure:	25 psi (172.4 kPa)
Min flow rate:	25 gpm (94.6 lpm)

### Notes

Install this product according to the installation instructions.

For back-to-back toilet installations: Use only a 45° double wye fitting.

Requires flushometer valve to match desired water consumption 1.28 gpf (4.8 lpf) or 1.6 gpf (6 lpf).

ADA compliant when installed to the specific requirements of these regulations.

Plumbing codes may require elongated toilets and elongated, open-front seats in public bathrooms.

Accessibility standards may require controls to be located on the open side of the toilet.