

## Features

- One-piece, self-contained ceramic disc valve allows for both volume and temperature control
- 4-3/8" (111 mm) spout reach
- Stationary spout
- No drain, no lift rod
- Flexible connections
- 0.5 gpm (1.9 lpm) maximum flow rate at 80 psi (5.5 bar)

## Material

- Brass

## Installation

- For single-hole installation

## Recommended Products/Accessories

- K-23726 Drain treatment
- K-23723 Faucet cleaner



**ADA** **CSA B651** **OBC**

## Codes/Standards

ASME A112.18.1/CSA B125.1  
NSF/ANSI/CAN 61  
NSF/ANSI/CAN 372  
All applicable US Federal and State material regulations  
DOE - Energy Policy Act 1992  
California Energy Commission (CEC)  
ADA  
ICC/ANSI A117.1  
CSA B651  
OBC  
IAPMO Certification

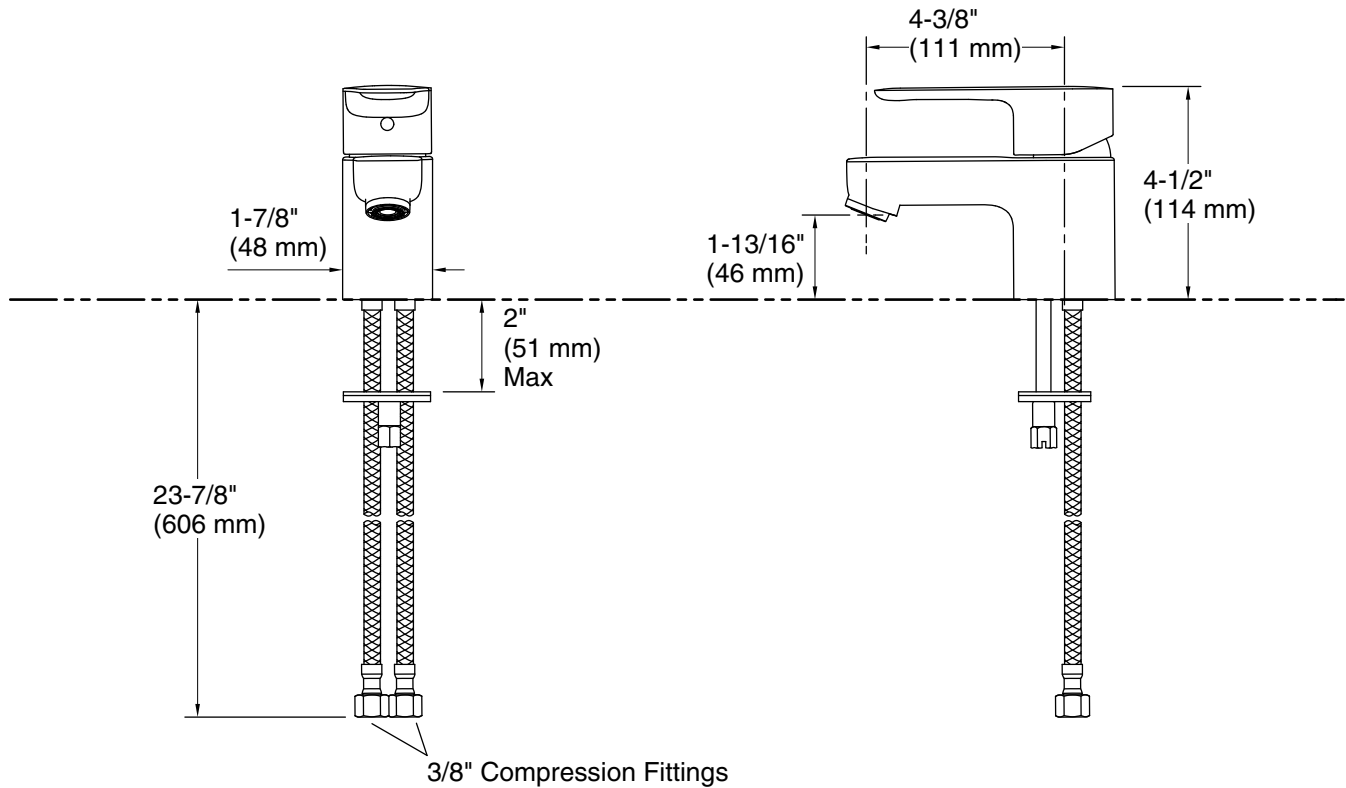
## KOHLER<sup>®</sup> Faucet Lifetime Limited Warranty

See website for detailed warranty information.

## Available Colors/Finishes

*Color tiles intended for reference only.*

Color	Code	Description
	CP	Polished Chrome



### Technical Information

All product dimensions are nominal.

#### Faucet:

Flow rate: 0.5 gal/min (1.9 l/min)

Drain included: No

#### Spout:

Spout reach: 4-3/8" (111 mm)

#### Handshower:

Rated maximum flow: 0 gal/min (0 l/min)

### Notes

Install this product according to the installation guide.

ADA compliant for handles only.

ADA, OBC, CSA B651 compliant when installed to the specific requirements of these regulations.