

### Features

- One-piece, self-contained ceramic disc valve allows for both volume and temperature control
- Stationary spout
- Metal grid drain with metal tailpiece
- Flexible connections
- 0.5 gpm (1.9 lpm) maximum flow rate at 80 psi (5.5 bar)

### Material

- Brass

### Installation

- For single-hole installation

### Recommended Products/Accessories

- K-23726 Drain treatment
- K-23723 Faucet cleaner



ADA CSA B651 OBC

### Codes/Standards

ASME A112.18.1/CSA B125.1  
NSF/ANSI/CAN 61  
NSF/ANSI/CAN 372  
All applicable US Federal and State material regulations  
DOE - Energy Policy Act 1992  
California Energy Commission (CEC)  
ADA  
ICC/ANSI A117.1  
CSA B651  
OBC  
IAPMO Certification

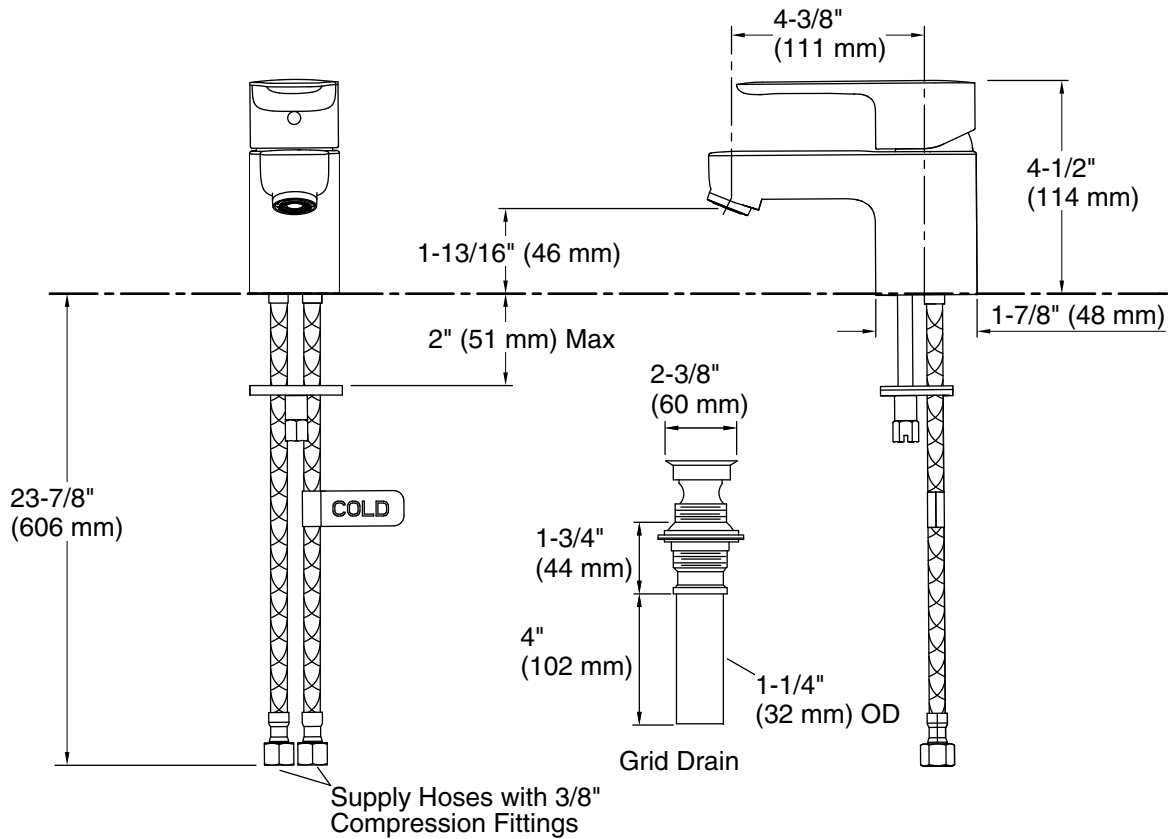
### KOHLER<sup>®</sup> Faucet Lifetime Limited Warranty

See website for detailed warranty information.

### Available Colors/Finishes

*Color tiles intended for reference only.*

Color	Code	Description
	CP	Polished Chrome



## Technical Information

All product dimensions are nominal.

### Faucet:

Flow rate: 0.5 gal/min (1.9 l/min)

Drain included: Yes

Drain with overflow: Yes

### Spout:

Spout reach: 4-3/8" (111 mm)

## Notes

Install this product according to the installation guide.

ADA compliant for handles only.

ADA, OBC, CSA B651 compliant when installed to the specific requirements of these regulations.