

Features

- For use with Artifacts®, Composed®, Margaux®, Occasion™, Paralle®, and Purist® freestanding bath fillers
- Can be installed without required freestanding bath filler

Recommended Products/Accessories

K-23723 Faucet cleaner

Optional Products/Accessories

K-T23492-4 Floor-mount bath filler trim with handshower
K-T97328-4 Floor-mount bath filler trim with handshower
K-T97331-4 Floor-mount bath filler trim with handshower
K-T73087-4 Floor-Mount Bath Filler Trim

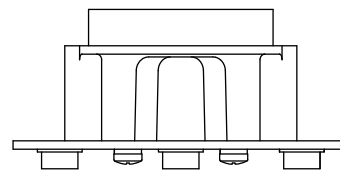
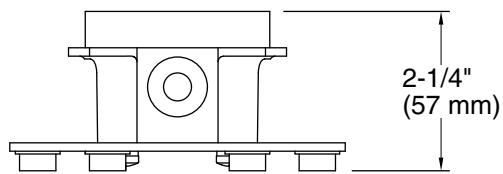
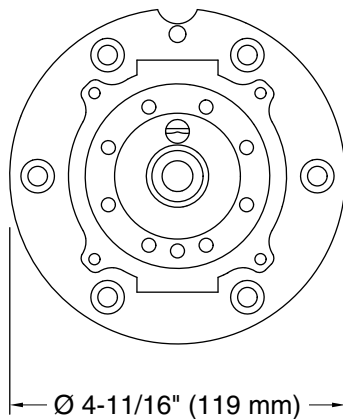


Codes/Standards

ASME A112.18.1/CSA B125.1

KOHLER® Faucet Lifetime Limited Warranty

See website for detailed warranty information.

**Technical Information**

All product dimensions are nominal.

Drain included: No

Spout:**Notes**

Install this product according to the installation guide.

Adequate floor support is required. The wood support must be a minimum of 2" (51 mm) thick by 6" (152 mm) wide. 2x6 lumber is NOT adequate for this application.

Concrete can be used as the floor support. Requires 3/16" masonry drill bit and six 1/4" x 1-3/4" concrete screws, not included.