

Airfoil Recessed Thermostatic B/S Face Plate

AIRFOIL™-KARING

K-98151T-7

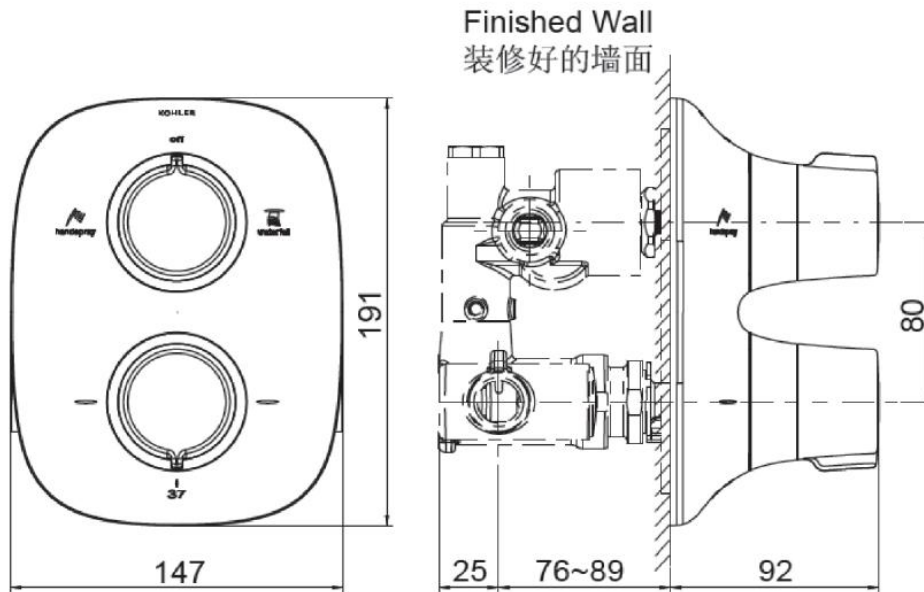
Product Specification:

Model	Finish	NOTE
K-98151T-7	CP	Required to match with K-98149T-NA, Airfoil Recessed Thermostatic B/S Valve

Product Dimension:

Reference Value
参考值

UNIT: mm
单位: 毫米



K-98151T-7

Please note that the above information are subject to change without notice.