

## Features

- Three-way adjustable slow-close door hinges for easy cabinet access
- Internal LED light guides provide optimally bright bathroom vanity lighting for grooming tasks
- Brightness at 2200 lumens ensures consistent lighting with no hot spots or dark spots. Produces 65 lumens per watt
- Approx. 3000 Kelvin light appearance delivers a neutral light ideal for overall bathroom aesthetics as well as tasks
- Minimum 90 CRI (color rendering index) lets you see yourself in the truest light for makeup application, grooming, and skin care
- Integrated LED bulbs have an estimated life expectancy of 59,000 hours
- Compatible with wall-mount LED dimmers (not included), which allow you to control lighting from multiple locations in the space
- Pivoting side panels allow you to direct light for specific tasks
- Internal aluminum shelf has two electrical outlets for powering small devices such as toothbrushes and shavers
- Front mirror, inside door mirror, and back panel mirror provide superior visibility
- Nine adjustable tempered-glass shelves

## Material

- Anodized aluminum construction with a durable rustproof and chip-resistant finish

## Installation

- Installation with center door hinge on left
- Recommend professional electrician installation
- Side kits for surface-mount installation sold separately
- Hang-and-secure mounting system for easier surface-mount installation
- Includes mounting hardware for surface or recessed installation

## Required Products/Accessories

K-99012 30" mirrored side kit for medicine cabinet

## Recommended Products/Accessories

K-23723 Faucet cleaner

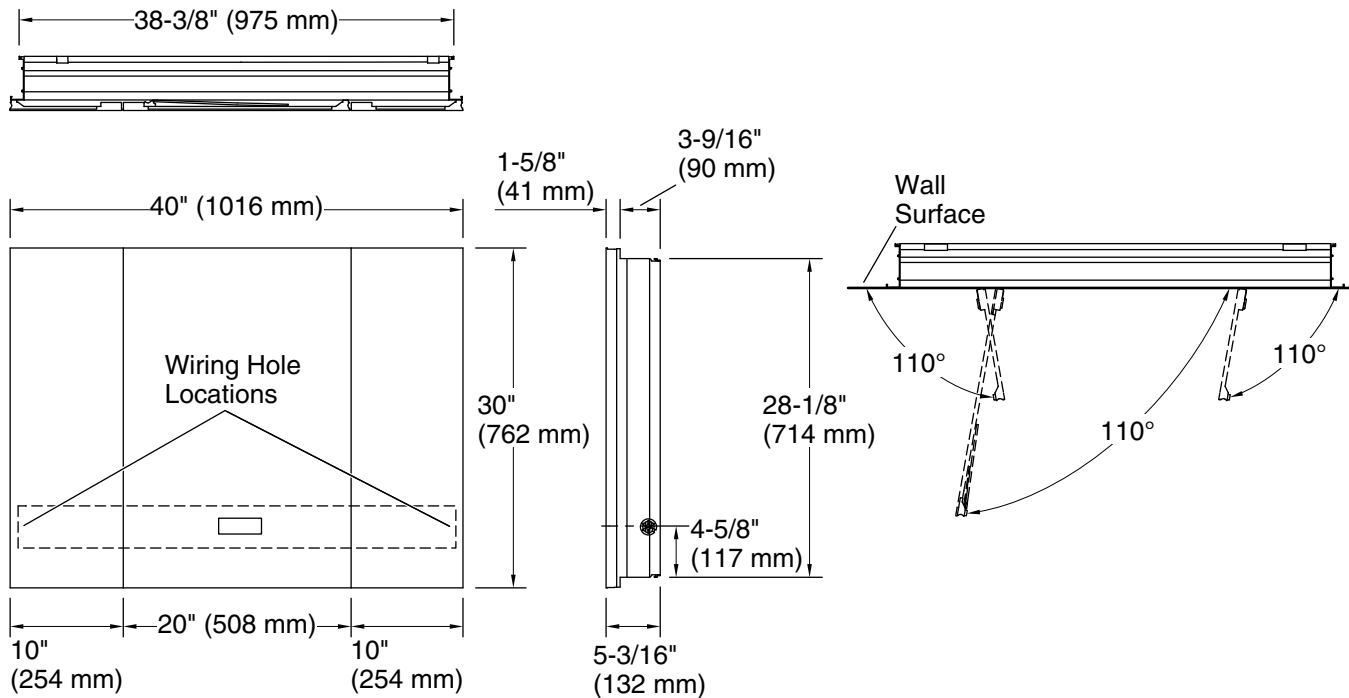


## Codes/Standards

UL 962  
CA Title 24 JA8  
cUL Listed  
UL Listed

## KOHLER® One-Year Limited Warranty

See website for detailed warranty information.



## Required Electrical Service

One circuit required, protected with Class A Ground-Fault Circuit-Interrupter (GFCI). Outside North America, this device may be known as a Residual Current Device (RCD).

Outlet, Lights: 120 V, 15 A, 60 Hz

## Technical Information

All product dimensions are nominal.

Lighting included: Yes

Electrical component rating: Outlet: 120 V, 15 A, 60 Hz  
LED: 120 V, 0.4 A, 60 Hz 2200 Lumens, 3000K

## Notes

Install this product according to the installation instructions.

To recess mount, the wall cavity must be framed and the cabinet secured to framing studs. Reroute electrical or water supply lines from the cavity. Consult a professional if drain or vent piping is encountered, or if the wall is load-bearing.

To determine the height of the cabinet, ensure the door will clear all obstacles (such as a faucet). A minimum 3" (76 mm) distance is required.