

## Features

- Required for surface mounting of 30"-tall (762 mm) Verdera medicine cabinets
- 30" (762 mm) length
- Includes two side mirrors and all hardware

## Material

- Premium metal and mirrored glass construction

## Recommended Products/Accessories

- K-99000 15" x 30" medicine cabinet
- K-99001 15" x 30" medicine cabinet
- K-99002 20" x 30" medicine cabinet
- K-99003 20" x 30" medicine cabinet
- K-99006 24" x 30" medicine cabinet
- K-99007 24" x 30" medicine cabinet
- K-99008 34" x 30" two-door medicine cabinet
- K-99009 34" x 30" two-door medicine cabinet
- K-99010 40" x 30" three-door medicine cabinet
- K-99011 40" x 30" three-door medicine cabinet
- K-23723 Faucet cleaner

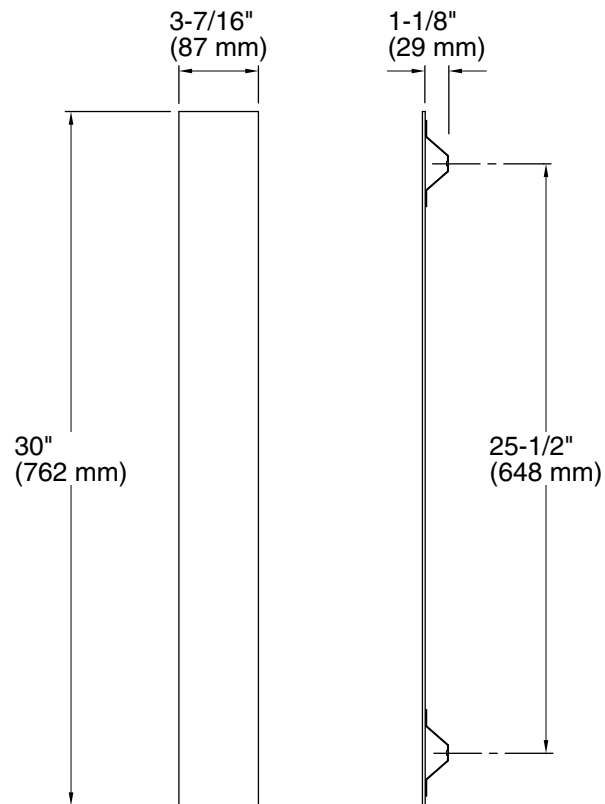


## Codes/Standards

None Applicable

## KOHLER® One-Year Limited Warranty

See website for detailed warranty information.



## Technical Information

All product dimensions are nominal.

Material: Glass

## Notes

Install this product according to the installation guide.