



Refinia™
Wall-mount handshower holder
K-99035T

Features

- Fits most standard handshower hoses and handshowers
- Handshower holder pivots and rotates to position handshower at desired angle
- Coordinates with the Refinia™ bathroom faucet and accessory collection

Material

- Premium metal construction for durability and reliability
- KOHLER® finishes resist corrosion and tarnishing

Installation

- Wall-mount

Recommended Products/Accessories

K-23723 Faucet cleaner

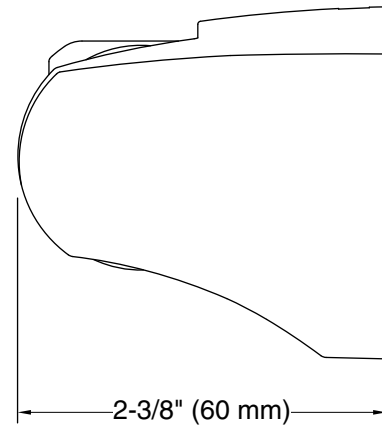
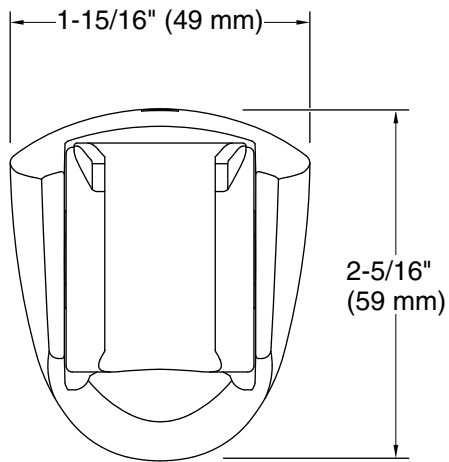


Codes/Standards

GB 18145

**KOHLER® Faucet Lifetime Limited
Warranty**

See website for detailed warranty information.



Technical Information

All product dimensions are nominal.

Material: Polymer

Notes

Install this product according to the installation instructions.