

Features

- Low-threshold design for easy entry and exit
- Recessed rear drain
- Single threshold for three-wall installation
- Requires K-9333 Groove aluminum drain cover or K-9337 Groove teak drain cover (sold separately)

Material

- Acrylic

Required Products/Accessories

K-9333 Drain Cover

or

K-9337 Drain Cover

Recommended Products/Accessories

K-9132 Shower Drain

K-23726 Drain treatment

K-23732 Tub & shower cleaner



Codes/Standards

CSA B45.5/IAPMO Z124

ASTM E162

ASTM E662

IAPMO Certification

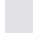

KOHLER® Plastic Baths and Receptors Lifetime Limited Warranty

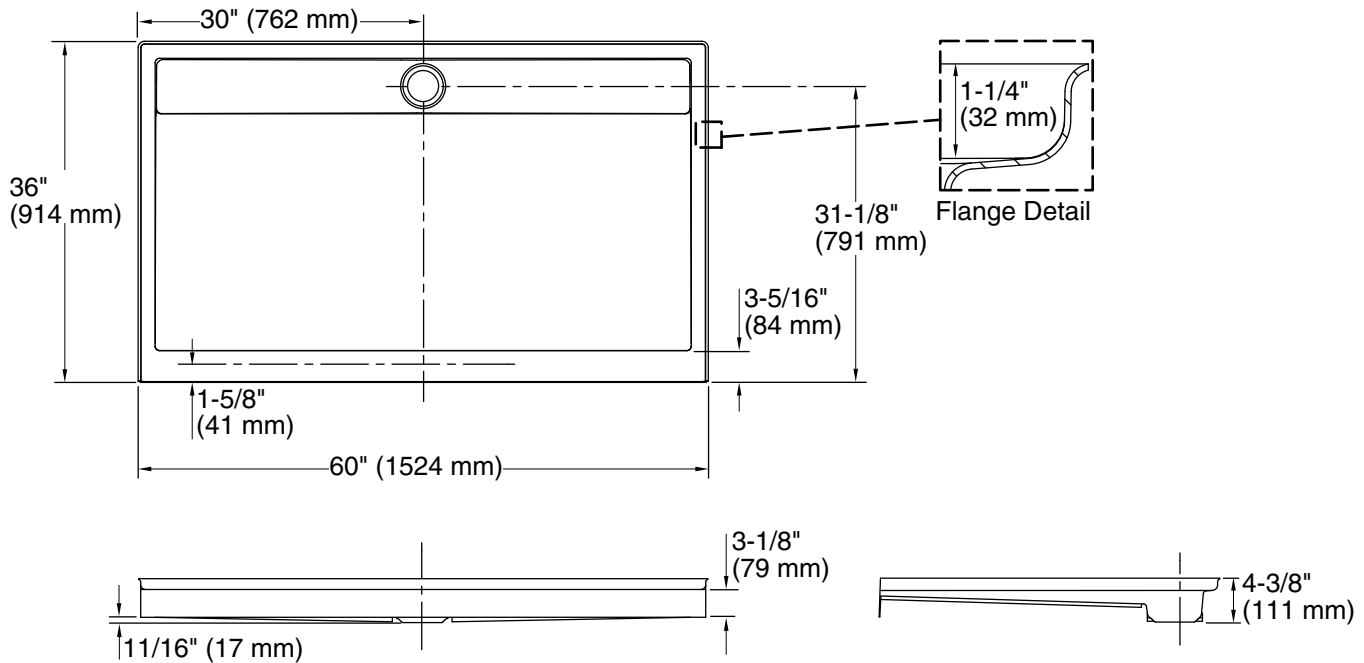
See website for detailed warranty information.

Available Colors/Finishes

Color tiles intended for reference only.

| Color | Code | Description |
|-------|------|-------------|
|-------|------|-------------|

| | | |
|---|----|---------|
|  | 0 | White |
|  | 96 | Biscuit |



Technical Information

All product dimensions are nominal.

| | |
|------------------------|--|
| Drain location: | Center |
| Weight: | 63 lbs (28.6 kg) |
| Minimum floor load: | 20 lbs/ft ² (97.6 kg/m ²) |
| Minimum flat for door: | 2-7/16" (61 mm) |

Notes

Measure your actual product for rough-in details.

Install this product according to the installation instructions.

Shimming may be required to level the fixture.

Shimming may be required between the stud frame and the fixture.

Stud opening tolerance is + 1/4" (6 mm), - 0" (0 mm).