



**Groove®**

60" x 32" alcove shower base, left drain  
**K-9949**

### Features

- Low-threshold design for easy entry and exit
- Recessed left drain
- Single threshold for three-wall installation
- Requires K-9330 Groove aluminum drain cover or K-9334 Groove teak drain cover (sold separately)

### Material

- Acrylic

### Required Products/Accessories

K-9330 Drain Cover

### Recommended Products/Accessories

K-9132 Shower Drain

K-23726 Drain treatment

K-23732 Tub & shower cleaner



### Codes/Standards

CSA B45.5/IAPMO Z124

ASTM E162

ASTM E662

IAPMO Certification

### **KOHLER® Plastic Baths and Receptors Lifetime Limited Warranty**

See website for detailed warranty information.

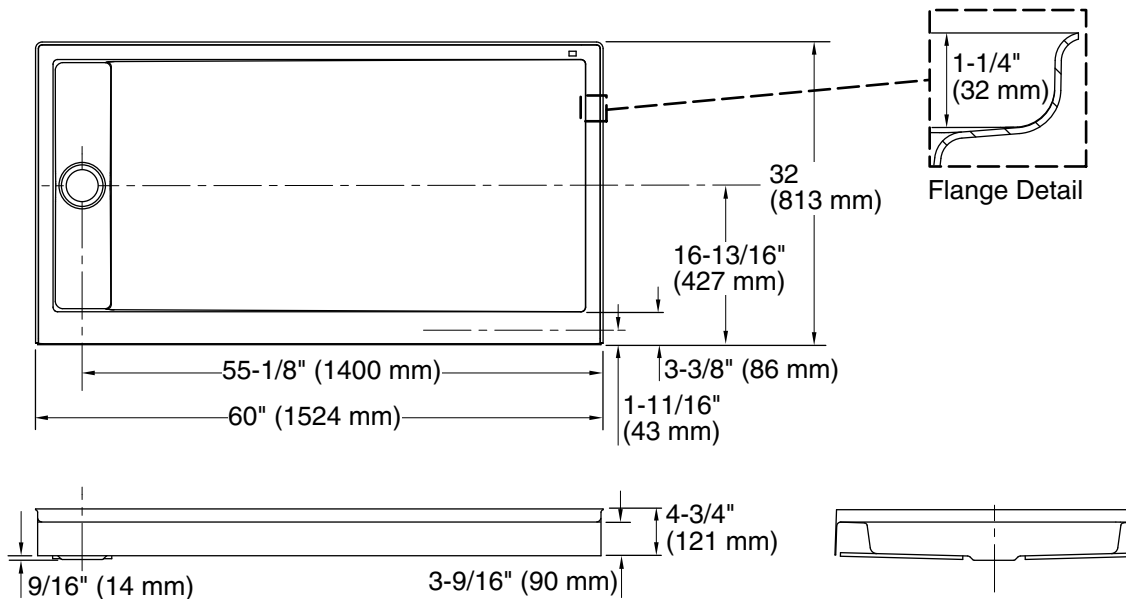
1-800-4KOHLER (1-800-456-4537)

Kohler Co. reserves the right to make revisions without notice to product specifications.

For the most current Specification Sheet, go to [www.kohler.com](http://www.kohler.com) USA or [www.kohler.ca](http://www.kohler.ca) Canada

10-30-2024 20:29 - US/CA

THE BOLD LOOK  
OF **KOHLER®**



### Technical Information

All product dimensions are nominal.

Drain location: Left  
 Weight: 65 lbs (29.5 kg)  
 Minimum floor load: 20 lbs/ft<sup>2</sup> (97.6 kg/m<sup>2</sup>)  
 Minimum flat for door: 2-1/2" (64 mm)

### Notes

Measure your actual product for rough-in details.  
 Install this product according to the installation instructions.  
 Measure your actual product for roughing-in details.  
 Shimming may be required to level the fixture.  
 Shimming may be required between the stud frame and the fixture.  
 The stud opening tolerance is +1/4" (6 mm), -0" (0 mm).