

Features

- Fluid design lines for ease of cleaning
- For use with any KOHLER showerhead (sold separately)
- Metal construction

Installation

- 1/2" -14 NPT connection

Recommended Products/Accessories

K-23723 Faucet cleaner

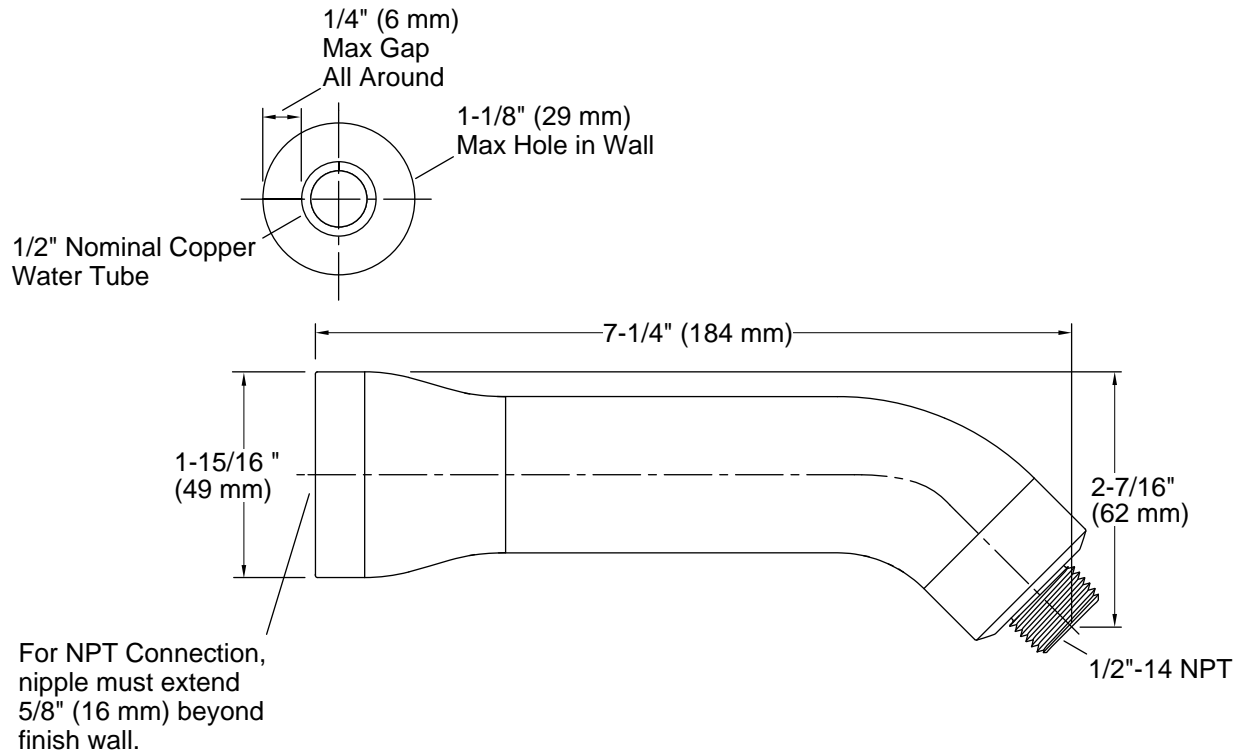


Codes/Standards

ASME A112.18.1/CSA B125.1

KOHLER® Faucet Lifetime Limited Warranty

See website for detailed warranty information.



Technical Information

All product dimensions are nominal.

Notes

Install this product according to the installation guide.

Product installs using a NPT connection to a 1/2" - 14 NPT nipple.