

### Features

- Upgrade an existing installed DTV I primary interface (K-684) to the DTV+ interface (K-99693)
- Kit includes cover plate and all required cables to convert the existing components to work with the new DTV+ system controller and interface, including a wiring connection adapter to utilize existing in-wall cables
- If installed, the auxiliary interface (K-686) must also be upgraded at the same time using the K-97171 conversion kit
- Note that DTV I landscape primary interfaces (K-683) cannot be upgraded to the new DTV+ interface

### Material

- Premium material construction for durability and reliability

### Installation

- The conversion kit cover plate attaches to the existing DTV I/II interface wall sleeve. The new DTV+ interface clips into the cover plate (DTV+ mounting bracket is not required)

### Required Products/Accessories

K-99693-P Digital interface  
K-99695 System Controller Module

or

K-99693-P Digital interface  
K-99695-E Eco-system controller module

### Recommended Products/Accessories

K-23723 Faucet cleaner

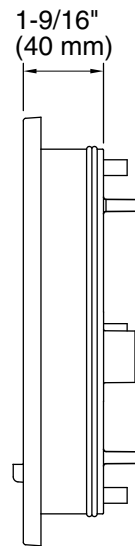
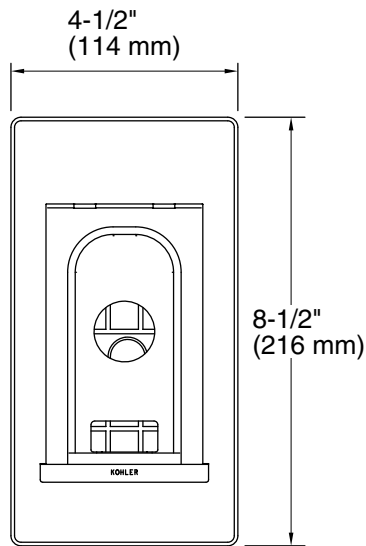
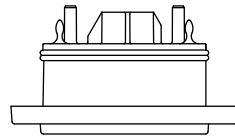


### Codes/Standards

UL 1951

### KOHLER® Electronic Faucets, Valves, and Controls Five-Year Limited Warranty

See website for detailed warranty information.



### Technical Information

All product dimensions are nominal.

#### Handshower:

Rated maximum flow: 0 gal/min (0 l/min)

### Notes

Install this product according to the installation guide.