

### Features

- Single lever handle allows for both volume and temperature control
- KOHLER® ceramic disc valves exceed industry longevity standards for a lifetime of durable performance
- Temperature memory allows faucet to be turned on and off at the temperature set during prior usage
- 1.2 gpm (4.5 lpm) maximum flow rate
- Includes metal pop-up drain with 1-1/4" (32 mm) tailpiece
- 4-3/16" (107 mm) spout reach
- Red/blue indexing on handle
- Coordinates with Honesty faucets accessories, and showering components to complete your bathroom



### Material

- Brass
- KOHLER® finishes resist corrosion and tarnishing

### Installation

- For single-hole installation
- Preattached flexible supply lines simplify installation

### Recommended Products/Accessories

- K-23726 Drain treatment
- K-23723 Faucet cleaner
- K-26633 18" towel bar
- K-26634 24" towel bar
- K-26635 12" towel bar
- K-26636 Robe hook
- K-26637 Towel arm
- K-26638 Pivoting toilet paper holder



### Codes/Standards





ASME A112.18.1/CSA B125.1  
 NSF/ANSI/CAN 61  
 NSF/ANSI/CAN 372  
 All applicable US Federal and State material regulations  
 DOE - Energy Policy Act 1992  
 EPA WaterSense®  
 California Energy Commission (CEC)  
 ADA  
 ICC/ANSI A117.1  
 CSA B651  
 OBC  
 IAPMO Certification

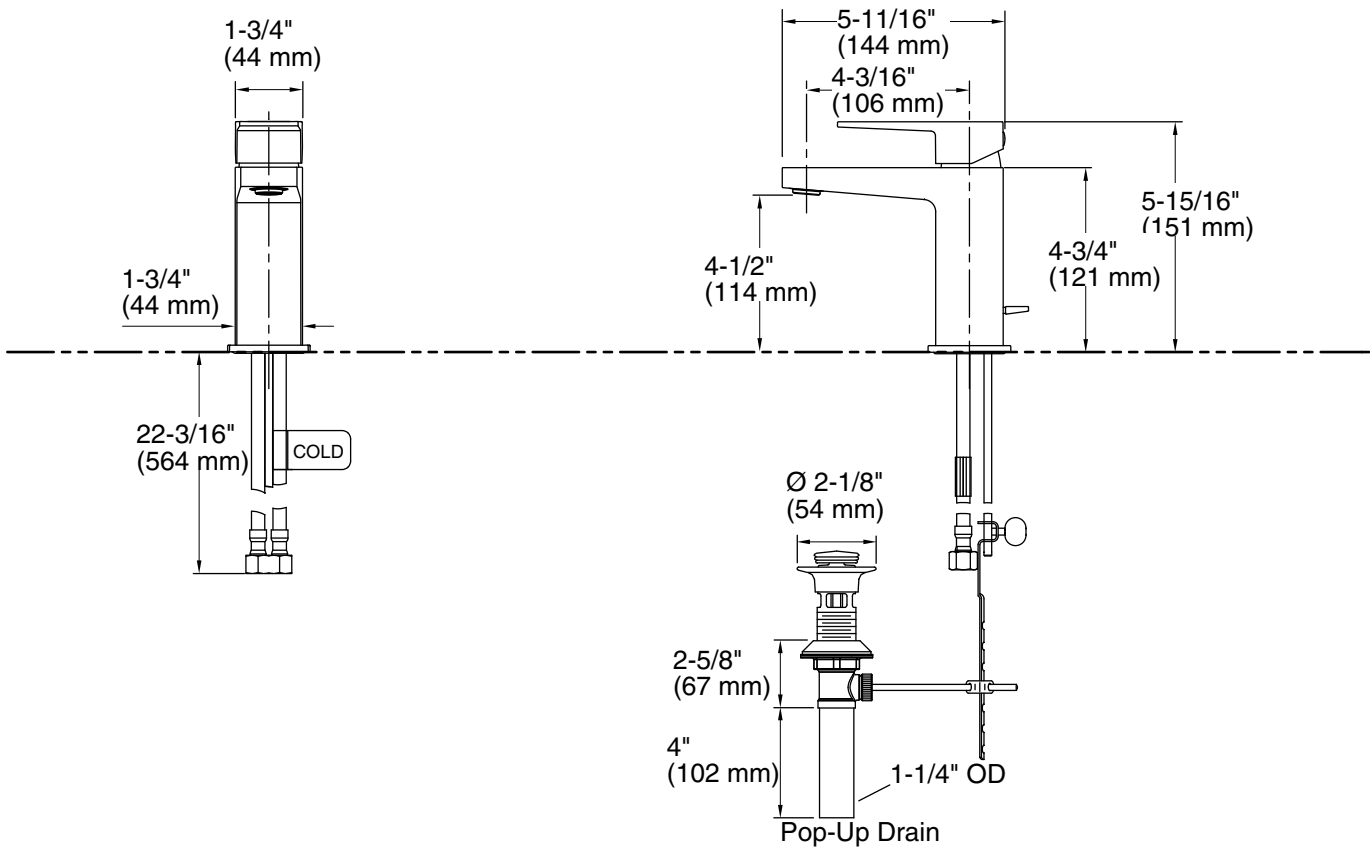
### KOHLER® Faucet Lifetime Limited Warranty

See website for detailed warranty information.

### Available Colors/Finishes

*Color tiles intended for reference only.*

Color	Code	Description
	CP	Polished Chrome
	BN	Vibrant® Brushed Nickel
	BL	Matte Black
	2MB	Vibrant® Brushed Moderne Brass



### Technical Information

All product dimensions are nominal.

#### Faucet:

Flow rate: 1.2 gal/min (4.5 l/min)

Drain included: Yes

Drain with overflow: Yes

#### Spout:

Spout reach: 4-3/16" (106 mm)

### Notes

Install this product according to the installation guide.

ADA compliant for handles only.

ADA, OBC, CSA B651 compliant when installed to the specific requirements of these regulations.