

Features

- Leak-free ceramic disc diverter valve
- Includes water-tight housing for enhanced leak protection
- Includes integral stops for easy water shut off and service
- Required for installation of bath and shower trim
- Trim sold separately (K-99865T-9)

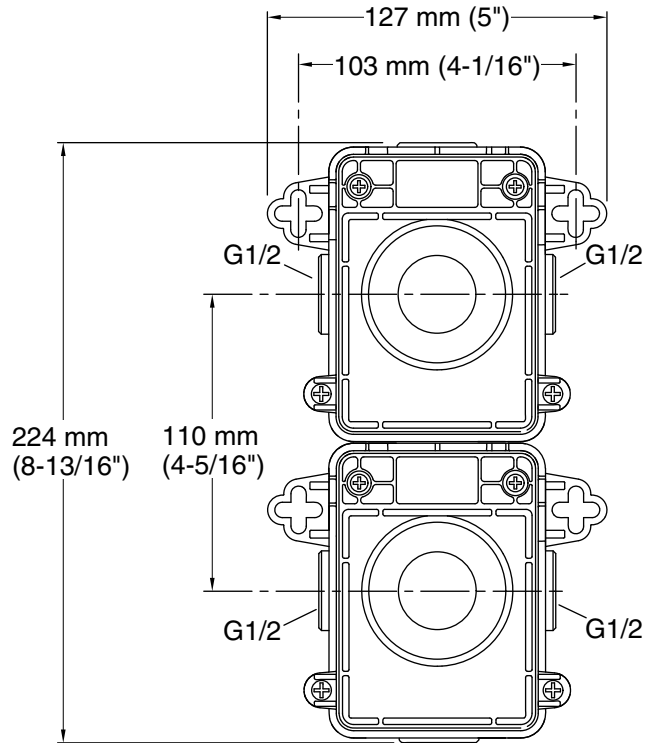
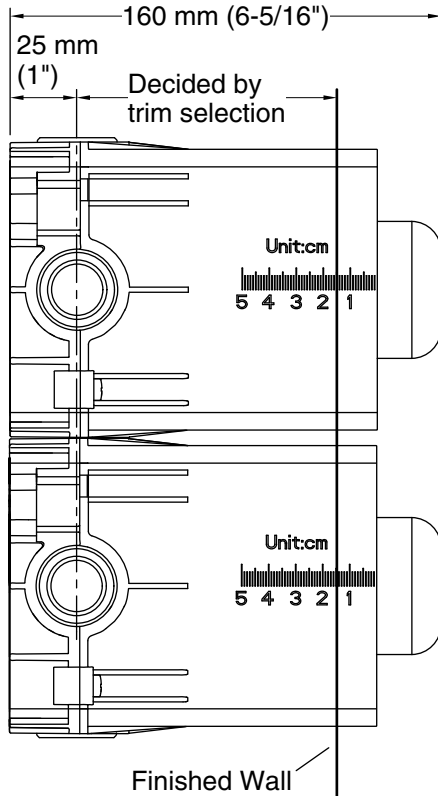
Material

- Brass



Codes and Standards vary by country.
Consult your Kohler representative for detailed information.

Warranty varies by country. See country website for detailed warranty information.



Technical Information

All product dimensions are nominal.

Shower Valve:

Flow Rate (Max) @ 45 psi	9.25 gal/min (35 l/min)
Pressure:	45 psi (3.1 bar)
Maximum (Static) Pressure:	125 psi (8.6 bar)

Notes

Install this product according to the installation instructions.