



**Groove®**

48" x 48" Single-threshold rear center  
**K-9998**

### Features

- Low-threshold design for easy entry and exit
- Recessed rear drain
- Single threshold for three-wall installation
- Requires K-9332 Groove aluminum drain cover or K-9336 Groove teak drain cover (sold separately)

### Material

- Acrylic

### Required Products/Accessories

K-9332 Drain Cover

### Recommended Products/Accessories

K-9132 Shower Drain  
K-706008-D3 Frameless Sliding Shower Door  
K-706008-L Frameless Sliding Shower Door  
K-706014-D3 Frameless Sliding Shower Door  
K-706014-L Frameless Sliding Shower Door  
K-23726 Drain treatment  
K-23732 Tub & shower cleaner



### Codes/Standards

CSA B45.5/IAPMO Z124  
ASTM E162  
ASTM E662  
IAPMO Certification

**KOHLER® Plastic Baths and  
Receptors Lifetime Limited Warranty**  
See website for detailed warranty information.

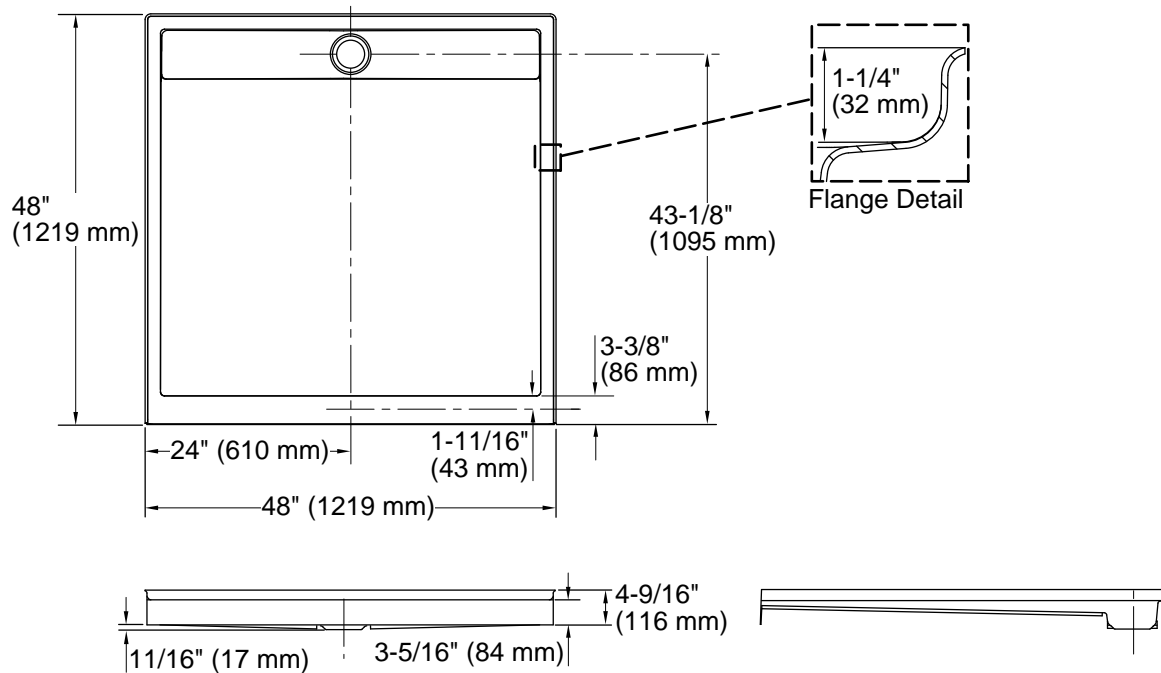
1-800-4KOHLER (1-800-456-4537)

Kohler Co. reserves the right to make revisions without notice to product specifications.

For the most current Specification Sheet, go to [www.kohler.com](http://www.kohler.com) USA or [www.kohler.ca](http://www.kohler.ca) Canada

1-5-2025 19:48 - US/CA

THE BOLD LOOK  
OF **KOHLER®**



#### Technical Information

All product dimensions are nominal.

Drain location: Center

Weight: 66 lbs (29.9 kg)

Minimum floor load: 20 lbs/ft<sup>2</sup> (97.6 kg/m<sup>2</sup>)

#### Notes

Measure your actual product for rough-in details.

Install this product according to the installation instructions.

Shimming may be required to level the fixture.

Shimming may be required between the stud frame and the fixture.

Stud opening tolerance is + 1/4" (6 mm), - 0" (0 mm).