



# Stoneridge™ | K-CA33782-10L

61-7/16" H frameless sliding bath door with 3/8" -thick Crystal Clear glass

## Features

- Frameless design emphasizes glass and creates a sleek, minimalist look
- Innovative roller design with stainless steel bearings simplifies installation and provides out-of-plumb adjustability while glass is installed
- Contemporary towel bar and knob combination offers storage on the outside of the door without encroaching on the bathing space
- Cushioned center guide provides smooth, quiet sliding action
- Tempered glass ensures enhanced safety and durability
- Stays Closed bumpers press against glass to keep door firmly closed, providing excellent water containment
- CleanCoat®+ glass coating creates a hydrophobic barrier that repels water, soap scum, and residue, saving time and protecting shower doors 10 times longer than original CleanCoat. (Based on 2021 internal wear/abrasion testing using a microfiber cloth.)
- Smooth, easy-to-clean wall jams



## Available Colors/Finishes

*Color tiles intended for reference only.*

- SHP Bright Polished Silver
- BL Matte Black
- 2MB Vibrant Brushed Moderne Brass
- BNK Anodized Brushed Nickel



1-800-4KOHLER (1-800-456-4537)

Kohler Co. reserves the right to make revisions without notice to product specifications.

For the most current specification sheet, go to [www.kohler.com](http://www.kohler.com) USA or [www.kohler.ca](http://www.kohler.ca) Canada.

5-13-2026 15:56 - US-CA

THE BOLD LOOK  
OF **KOHLER**

## Codes/Standards

ANSI Z97.1 (Tempered Glass)  
CAN/CGSB-12.1  
CPSC 16CFR 1201

---

## Technical Information

*All product dimensions are nominal.*

Base-To-Wall Radius - Maximum: 5/16" (8 mm)  
Shower Ledge Minimum Flat: 2-1/2" (64 mm)  
Shower Wall Minimum Flat: 3-7/16" (87 mm)  
Weight: 90 lbs (40.8 kg)

---

## Material

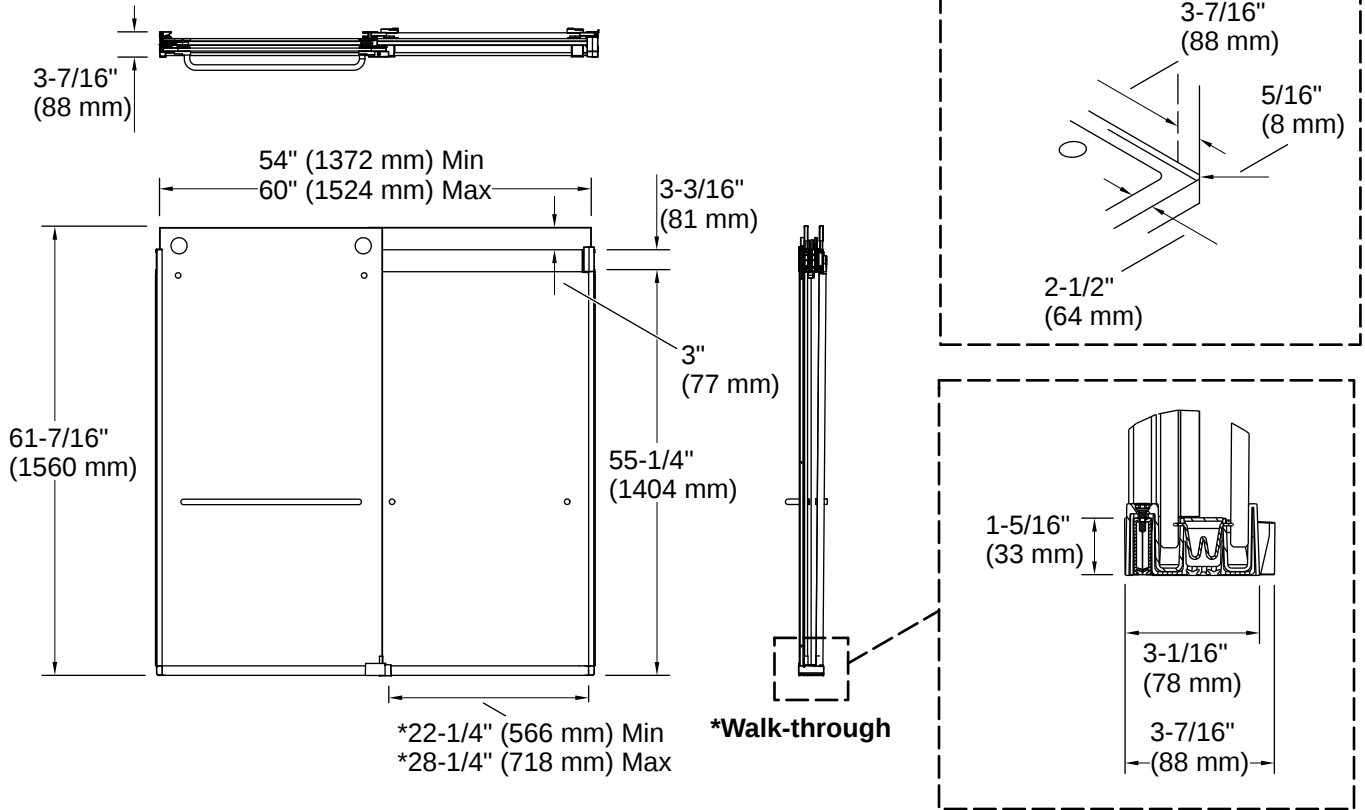
- Frameless, 3/8" (10 mm) thick Crystal Clear tempered glass
  - Anodized aluminum prevents rust and corrosion
- 

## Warranty

*See website for detailed warranty information.*

KOHLER® Bath and Shower Doors Commercial One-Year Limited  
Warranty





## Installation

- Fits opening widths 54" - 60" (1372 - 1524 mm)
- 61-7/16" (1561 mm) high, with 55-5/16" (1405 mm) minimum head clearance
- 6" (152 mm) width adjustment
- Out-of-plumb adjustability simplifies installation
- For residential and hospitality use

## Installation Notes

*Install this product according to the installation instructions.*

The vertical opening should be a minimum of 63-7/16" (1611 mm) to allow for installation clearance.

