



# Statement™ | K-CA37596-8L

48"-54" W x 76" H pivot shower door with 5/16"-thick Crystal Clear glass

## Features

- Premium stainless steel hinge design allows for effortless opening and closing of the pivot panel
- Self-closing mechanism offers superior performance and security against water leakage
- Frameless design emphasizes glass and creates a sleek, minimalist look
- Back-to-back 14-7/16" (367 mm) vertical handles
- Tempered glass ensures enhanced safety and durability
- CleanCoat®+ glass coating creates a hydrophobic barrier that repels water, soap scum, and residue, saving time and protecting shower doors 10 times longer than original CleanCoat. (Based on 2021 internal wear/abrasion testing using a microfiber cloth.)
- SealNetik™ full-length magnetic seal keeps door firmly closed, providing excellent water containment
- Smooth, easy-to-clean wall jambs
- Pivot shower door configuration consists of one moving panel and one stationary panel
- Coordinates with other products in the Statement™ collection



## Available Colors/Finishes

*Color tiles intended for reference only.*

- SHP Bright Polished Silver
- BL Matte Black
- 2MB Vibrant Brushed Moderne Brass
- BNK Anodized Brushed Nickel



1-800-4KOHLER (1-800-456-4537)

Kohler Co. reserves the right to make revisions without notice to product specifications.  
For the most current specification sheet, go to [www.kohler.com](http://www.kohler.com) USA or [www.kohler.ca](http://www.kohler.ca) Canada.  
6-1-2026 21:3 - US-CA

THE BOLD LOOK  
OF **KOHLER**

---

## Codes/Standards

ANSI Z97.1 (Tempered Glass)  
CAN/CGSB-12.1  
CPSC 16CFR 1201

---

## Technical Information

*All product dimensions are nominal.*

Base-To-Wall Radius - Maximum:	1/2" (13 mm)
Shower Ledge Minimum Flat:	2-1/2" (64 mm)
Shower Wall Minimum Flat:	2-1/2" (64 mm)
Weight:	131 lbs (59.4 kg)

---

## Material

- Frameless, heavy 5/16" (8 mm) thick Crystal Clear tempered glass
  - Anodized aluminum prevents rust and corrosion
- 

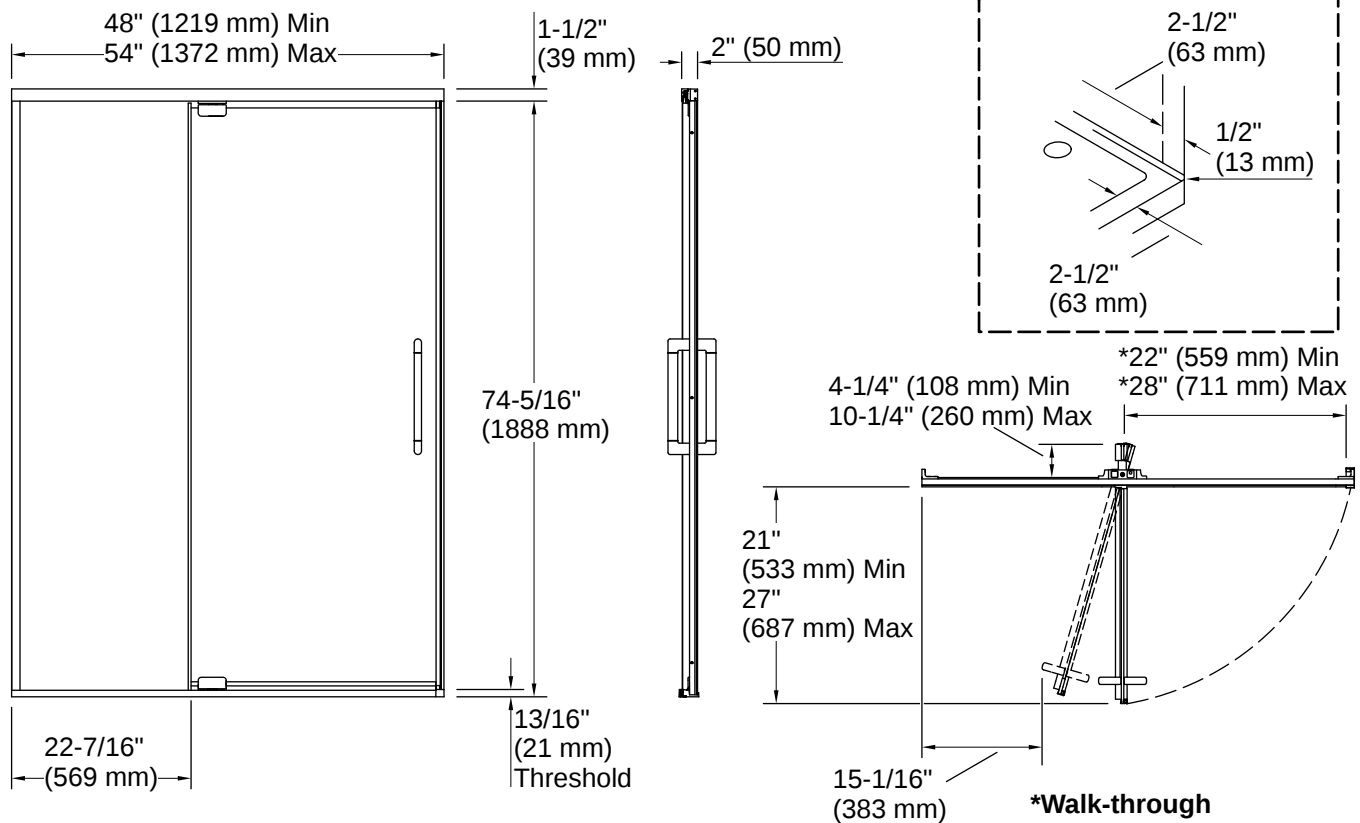
## Warranty

*See website for detailed warranty information.*

KOHLER® Bath and Shower Doors Commercial One-Year Limited  
Warranty



1-800-4KOHLER (1-800-456-4537)  
Kohler Co. reserves the right to make revisions without notice to product specifications.  
For the most current specification sheet, go to [www.kohler.com](http://www.kohler.com) USA or [www.kohler.ca](http://www.kohler.ca) Canada.  
6-1-2026 21:3 - US-CA



## Installation

- Fits opening widths 48" - 54" (1219 - 1372 mm)
- 76" (1930 mm) high, with a lofty 74-5/16" (1888 mm) minimum head clearance
- 6" (152 mm) width adjustment
- 3/4" (19 mm) out-of-plumb adjustability on each side simplifies installation
- Door can be installed to open to the left or right to suit your bathroom layout

## Installation Notes

*Install this product according to the installation instructions.*

The vertical opening should be a minimum of 76-3/4" (1949 mm) to allow for installation clearance.

