

Features

- Two knob handles offer separate control of hot and cold water
- 7-3/4" (197 mm) spout reach
- Nondiverter spout
- 11.0 gpm (41.6 lpm) maximum flow rate at 45 psi (3.1 bar)
- Laminar flow
- KOHLER® ceramic disc valves exceed industry longevity standards for a lifetime of durable performance
- Part of the Occasion bathroom faucet and accessory collection

Material

- Premium metal construction for durability and reliability
- KOHLER® finishes resist corrosion and tarnishing

Installation

- Deck-mount

Required Products/Accessories

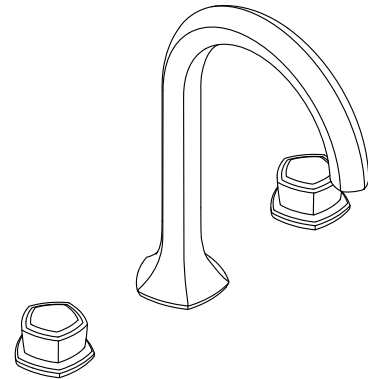
K-27016 Deck-mount bath spout with Cane design

or

K-27017 Deck-mount bath spout with Straight design

Recommended Products/Accessories

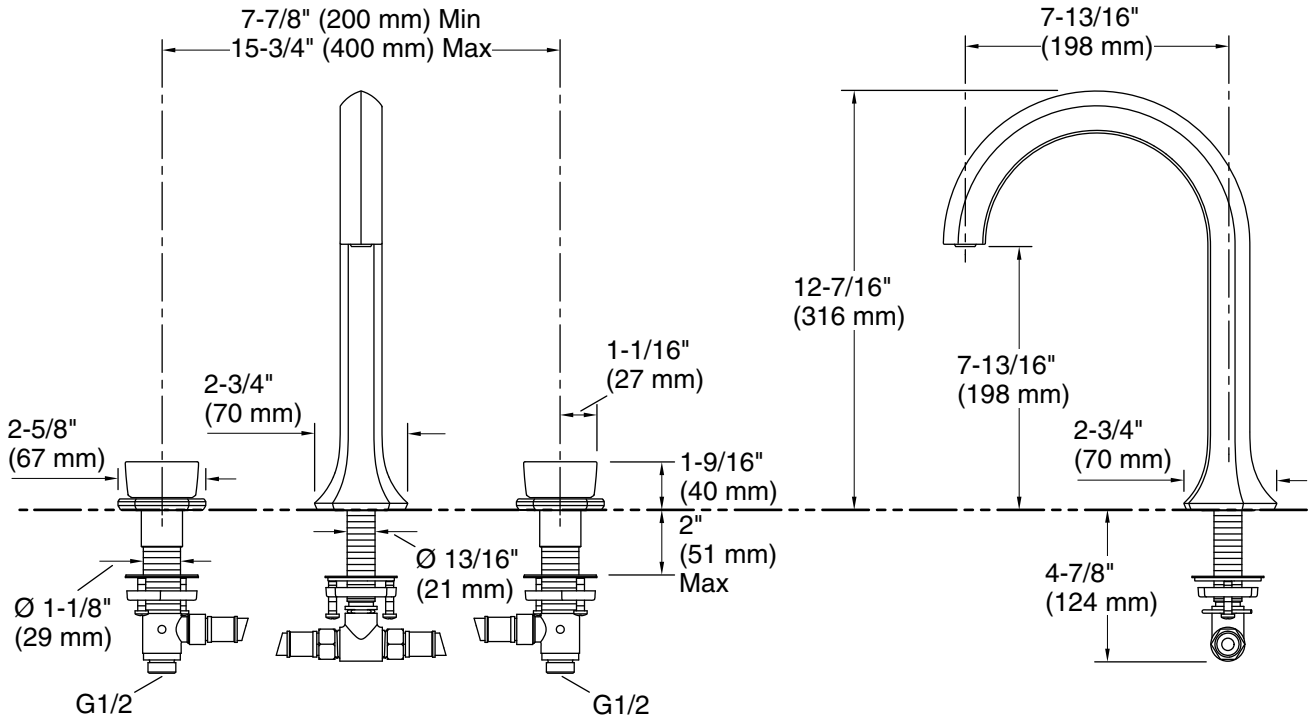
K-23723 Faucet cleaner



Codes/Standards

None Applicable

See website for detailed warranty information.



Technical Information

All product dimensions are nominal.

Drain included: No

Notes

Install this product according to the installation instructions.