

### Features

- Single lever handle allows for both volume and temperature control
- 8-1/3" (212 mm) spout reach
- Nondiverter spout
- 9.3 gpm (35.2 lpm) maximum bath faucet flow rate at 45 psi (3.1 bar)
- Laminar flow
- KOHLER® ceramic disc valves exceed industry longevity standards for a lifetime of durable performance
- Part of the Occasion bathroom faucet and accessory collection

### Material

- Premium metal construction for durability and reliability
- KOHLER® finishes resist corrosion and tarnishing

### Installation

- Deck-mount
- Two-hole installation

### Required Products/Accessories

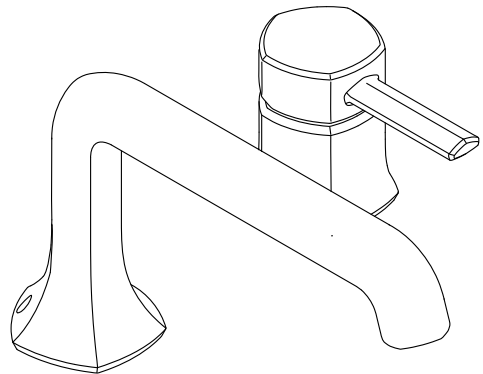
K-27016 Deck-mount bath spout with Cane design

or

K-27017 Deck-mount bath spout with Straight design

### Recommended Products/Accessories

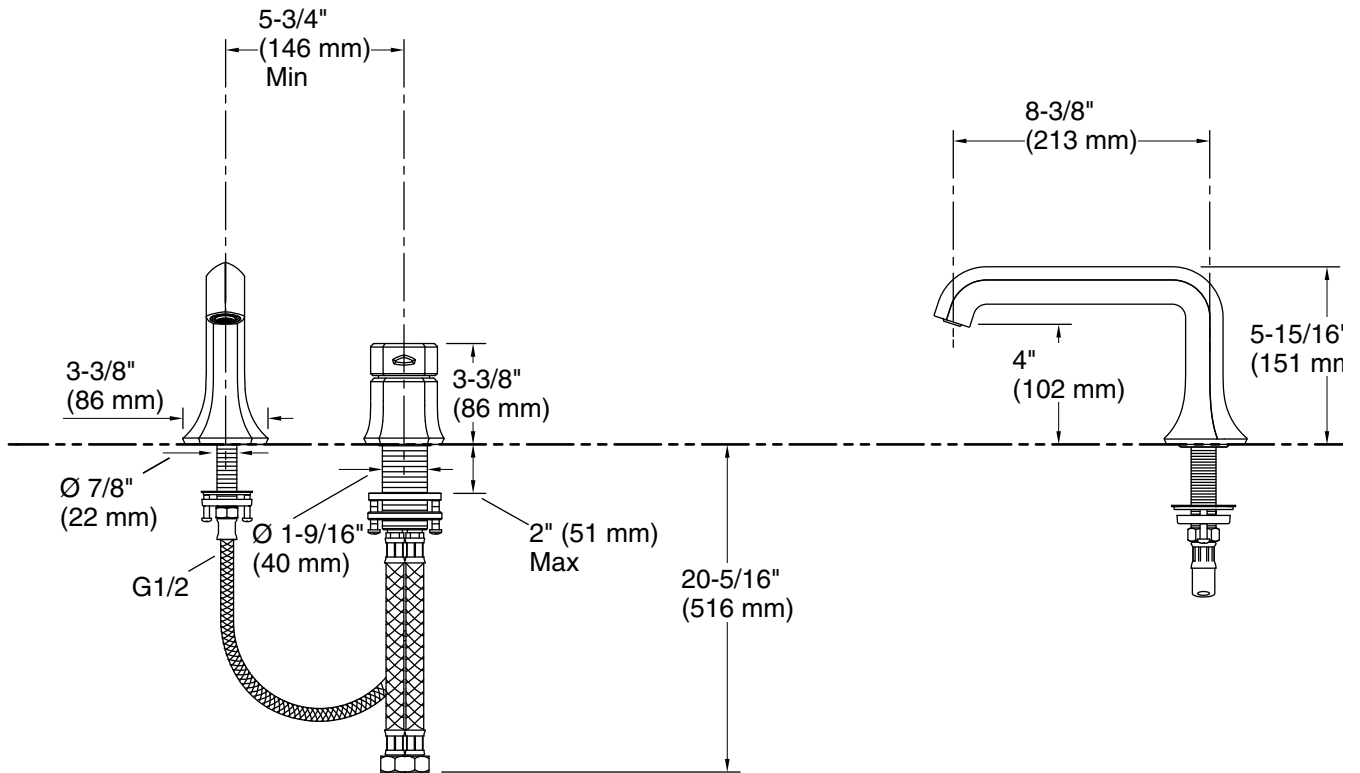
K-23723 Faucet cleaner



### Codes/Standards

None Applicable

See website for detailed warranty information.



**Technical Information**

All product dimensions are nominal.

Drain included: No

**Notes**

Install this product according to the installation instructions.