

# KOHLER® Faucets Tall Single-handle bathroom sink faucet, Row spout/

**Components®**

Oyl

**K-EX28094T-8**

## Features

- Single Oyl handle actuation allows for both temperature and volume control
- Red/blue indexing on handle
- 7-5/16" (186 mm) spout reach
- 8-9/16" (217 mm) spout height
- 2.2 gpm (8.3 lpm) maximum flow rate at 60 psi (4.14 bar)
- Includes clicker drain with 1-1/4" (32 mm) metal tailpiece
- KOHLER® ceramic disc valves exceed industry longevity standards for a lifetime of durable performance
- Complete Components line of faucets, accessories and showering components to coordinate a full bathroom

## Material

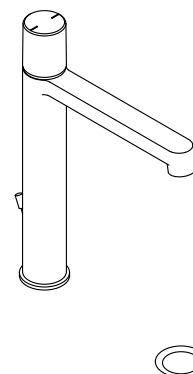
- Premium metal construction for durability and reliability
- KOHLER® finishes resist corrosion and tarnishing

## Installation

- For single-hole installation
- Preattached flexible supply lines simplify installation

## Recommended Products/Accessories

- K-23726 Drain treatment
- K-23723 Faucet cleaner



## Codes/Standards

Plumbing Standards  
GB 18145

See website for detailed warranty information.

## Available Colors/Finishes

*Color tiles intended for reference only.*

Color	Code	Description
-------	------	-------------

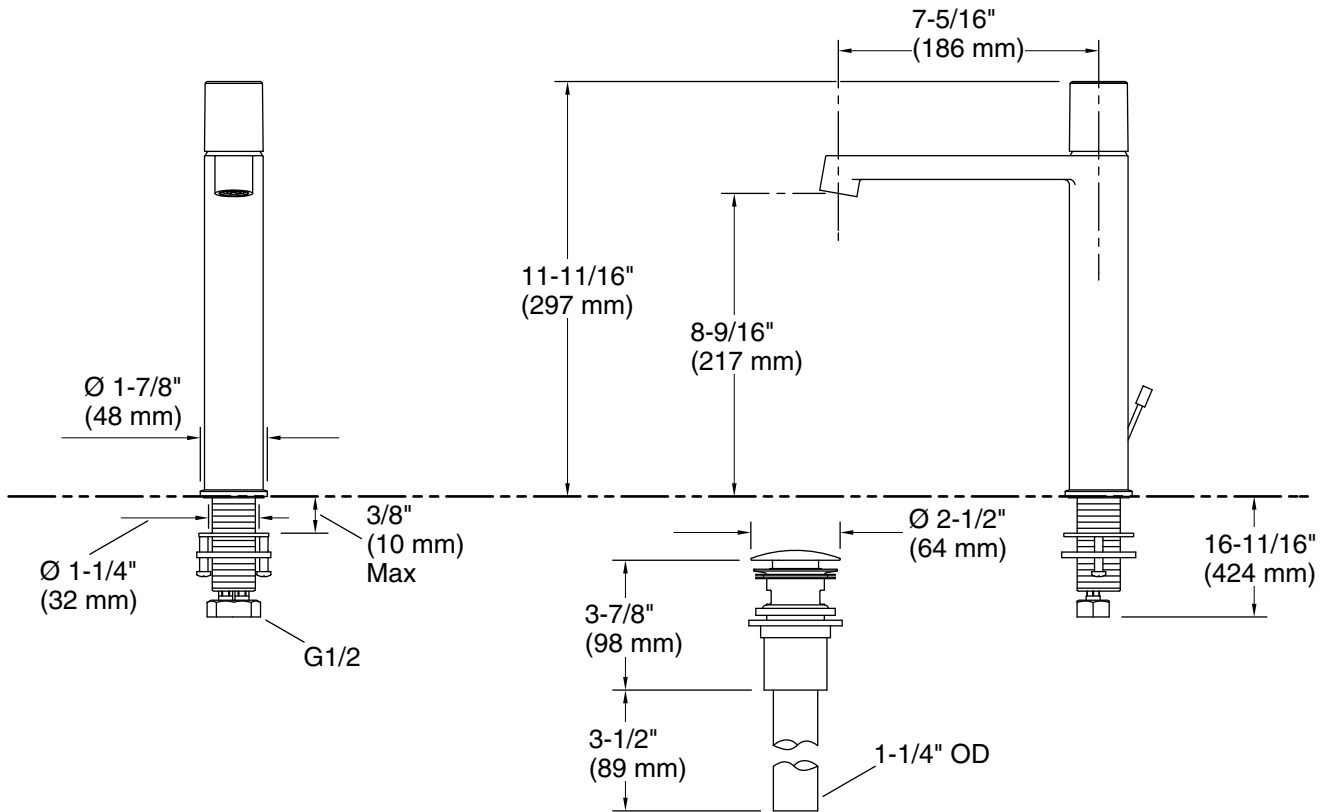
	BRD	
--	-----	--

	BRT	
--	-----	--

# KOHLER Faucets

Tall Single-handle bathroom sink faucet, Row spout/  
Oyl  
**K-EX28094T-8**

**Components®**



## Technical Information

All product dimensions are nominal.

### Faucet:

Flow rate: 2.2 gal/min (8.3 l/min)

Drain included: Yes

Drain with overflow: Yes

### Spout:

Spout reach: 7-5/16" (185 mm)

## Notes

Install this product according to the installation guide.