

### Features

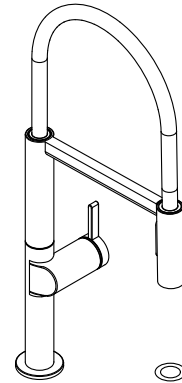
- Professional-inspired faucet design features an easy-to-clean coated hose with extended functional reach and enhanced maneuverability
- Unique two-function sprayhead with Sweep™ spray and aerated stream
- Sweep™ spray features specially angled nozzles that form a wide, powerful blade of water to sweep your dishes and sink clean
- DockNetik™ secure docking system locks sprayhead into place when not in use
- MasterClean™ sprayface features an easy-to-clean surface that withstands mineral buildup and maximizes spray performance
- High-arch spout offers vertical clearance for tall cookware and pitchers
- Handle rotates 90° forward to prevent contact with backsplash
- KOHLER® ceramic disc valves exceed industry longevity standards for a lifetime of durable performance
- 1.5 gpm (5.7 lpm) maximum flow rate at 60 psi (4.14 bar)
- Temperature memory allows faucet to be turned on and off at the temperature set during prior usage

### Material

- Premium metal construction for durability and reliability
- KOHLER® finishes resist corrosion and tarnishing

### Installation

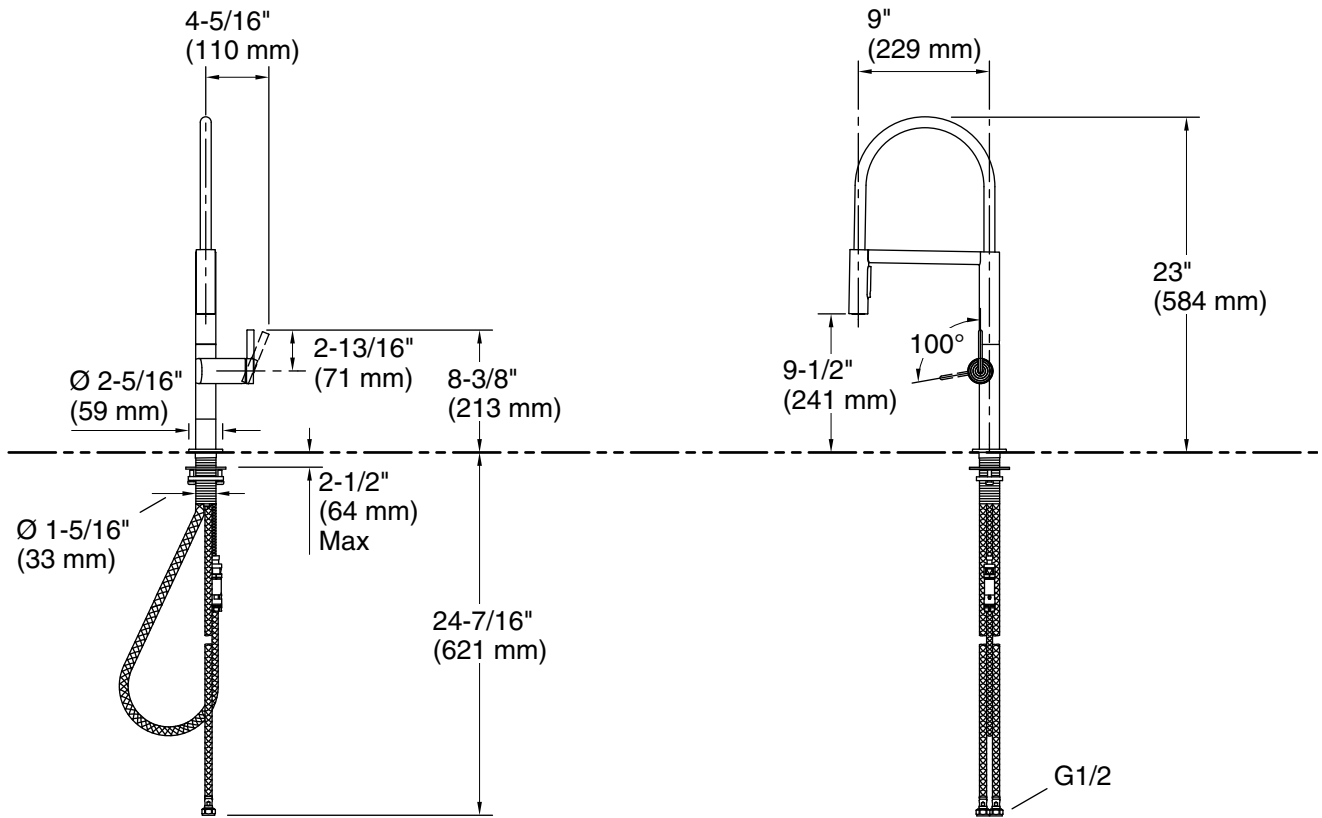
- For single-hole or three-hole installation (escutcheon plate sold separately)
- Flexible supply lines simplify installation



### Codes/Standards

Plumbing Standards  
GB 18145

See website for detailed warranty information.



### Technical Information

All product dimensions are nominal.

#### Faucet:

Flow rate: 1.9 gal/min (7.2 l/min)

Pressure: 60 psi (4.1 bar)

### Notes

Install this product according to the installation guide.