

Features

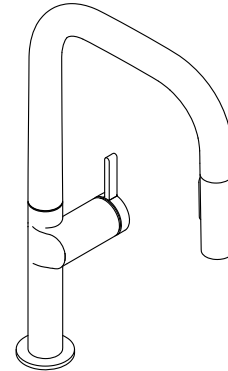
- Two-function pull-down sprayhead with touch control allows you to switch between aerated and Sweep™ sprays
- Sweep™ spray features specially angled nozzles that form a wide, powerful blade of water to sweep your dishes and sink clean
- DockNetik™ secure docking system locks sprayhead into place when not in use
- ProMotion™ technology's light, quiet braided hose and swiveling ball joint make the pull-down sprayhead easier and more comfortable to use
- MasterClean™ sprayface features an easy-to-clean surface that withstands mineral buildup and maximizes spray performance
- High-arch spout offers vertical clearance for tall cookware and pitchers
- Single lever handle makes adjusting water temperature easy with one hand
- KOHLER ceramic disc valves exceed industry longevity standards by over two times, ensuring durable performance for life
- 1.5 gpm (5.7 lpm) maximum flow rate at 60 psi (4.14 bar)
- Temperature memory allows faucet to be turned on and off at the temperature set during prior usage

Material

- Premium metal construction for durability and reliability
- KOHLER® finishes resist corrosion and tarnishing

Installation

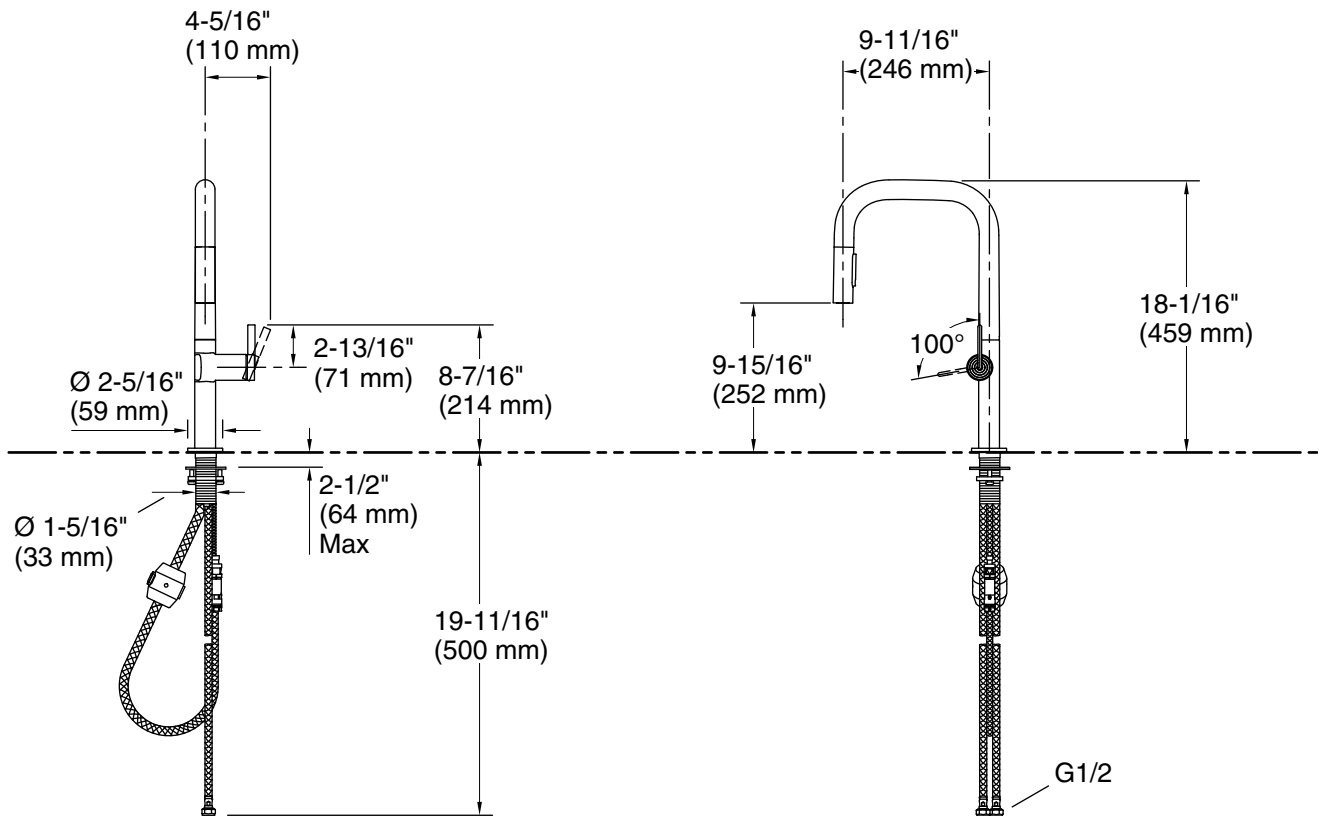
- For single-hole or three-hole installation (escutcheon plate sold separately)
- Flexible supply lines simplify installation



Codes/Standards

Plumbing Standards
GB 18145

See website for detailed warranty information.



Technical Information

All product dimensions are nominal.

Faucet:

Flow rate: 2 gal/min (7.6 l/min)

Pressure: 60 psi (4.1 bar)

Notes

Install this product according to the installation guide.

ADA, CSA B651 compliant when installed to the specific requirements of these regulations.