

Features

- Metal construction
- One-piece, self-contained ceramic disc valve allows both volume and temperature control.
- High-temperature limit stop
- 8-1/2" (216 mm) swing spout reach
- Flexible supplies
- Matching finish side sprayer
- Lever handle
- 1.5 gpm (5.7 lpm) maximum flow rate at 60 psi (4.14 bar)
- Project pack: Supplied six per case

Recommended Products/Accessories

K-23723 Faucet cleaner



ADA

CSA B651

Codes/Standards

ASME A112.18.1/CSA B125.1

NSF/ANSI/CAN 61

NSF/ANSI/CAN 372

All applicable US Federal and State material regulations

DOE - Energy Policy Act 1992

California Energy Commission (CEC)

ADA

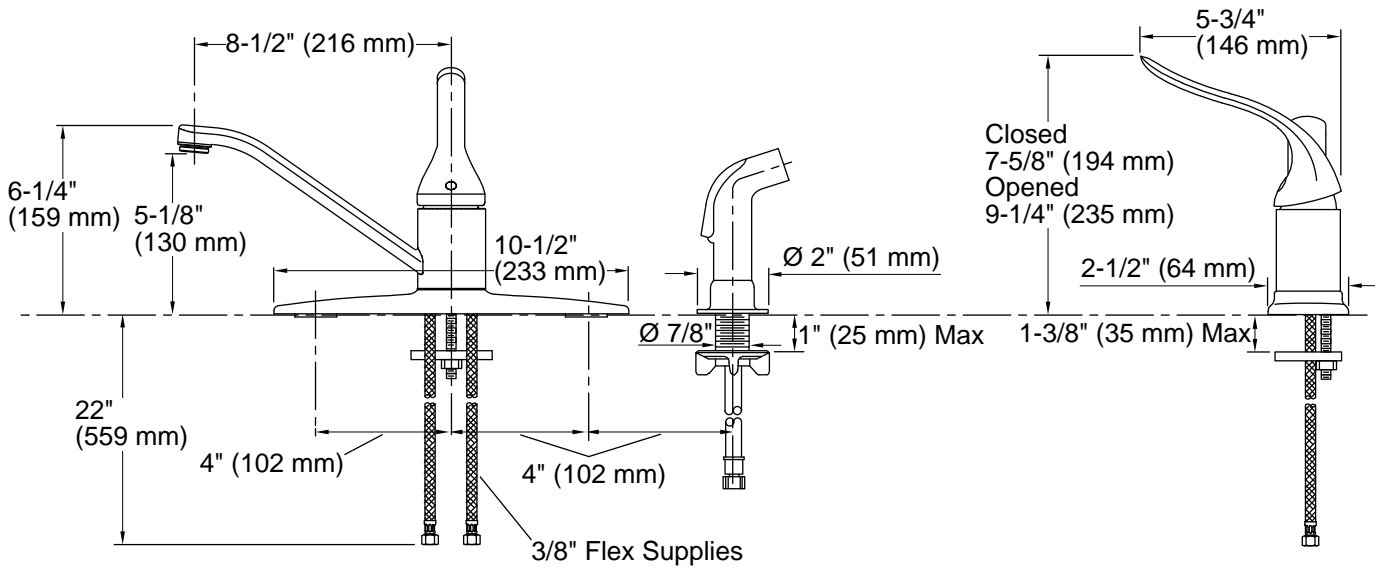
ICC/ANSI A117.1

CSA B651

IAPMO Certification

KOHLER® Faucet Lifetime Limited Warranty

See website for detailed warranty information.



Technical Information

All product dimensions are nominal.

Faucet:

Flow rate: 1.5 gal/min (5.7 l/min)

Spout:

Spout reach: 8-1/2" (216 mm)

Notes

Install this product according to the installation guide.

ADA compliant for faucet handles only.

ADA compliant for faucet handles only

ADA, CSA B651 compliant when installed to the specific requirements of these regulations.