

Features

- Metal construction
- One-piece, self-contained ceramic disc valve allows for both volume and temperature control
- High-temperature limit setting for added safety
- Flexible supplies
- 8-1/2" (216 mm) swing spout reach
- Matching finish escutcheon-mounted side sprayer
- Lower flow aerator options are available
- 1.5 gpm (5.7 lpm) maximum flow rate at 60 psi (4.14 bar)
- Packaged six per case
- Project pack



ADA

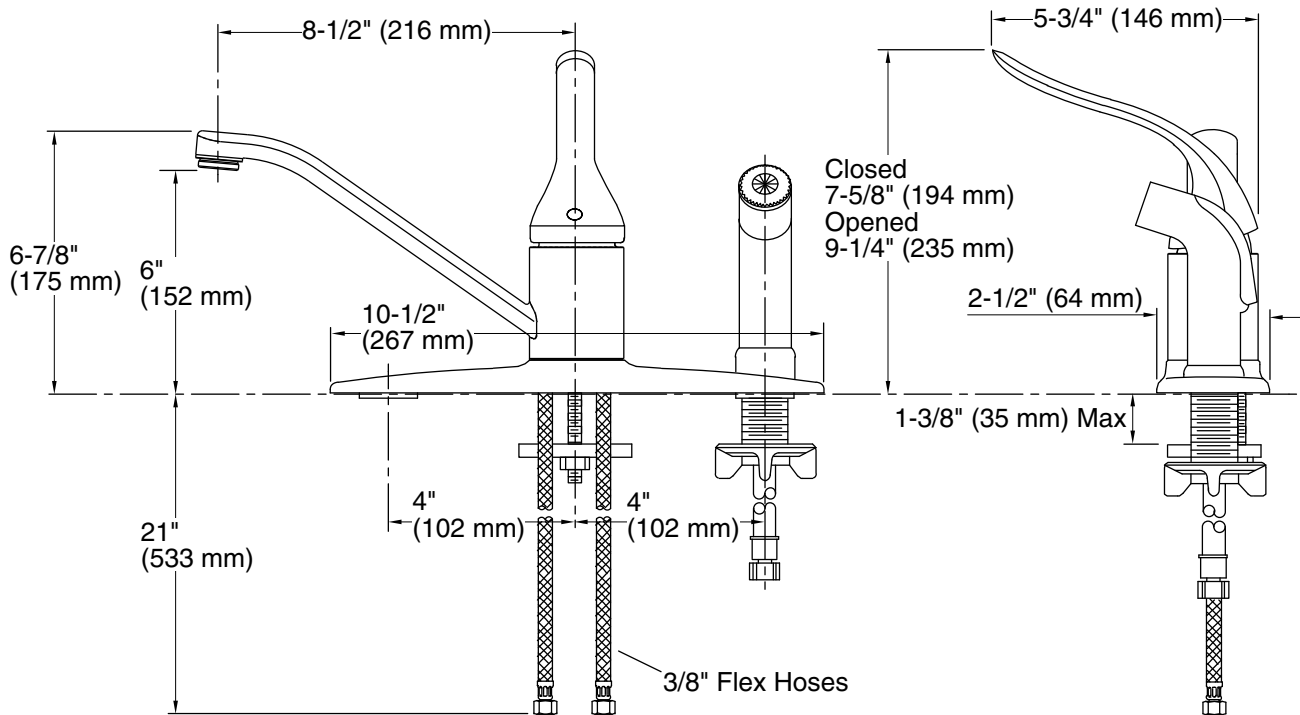
CSA B651

Codes/Standards

ASME A112.18.1/CSA B125.1
NSF/ANSI/CAN 61
NSF/ANSI/CAN 372
DOE - Energy Policy Act 1992
California Energy Commission (CEC)
ADA
ICC/ANSI A117.1
CSA B651

KOHLER® Faucet Lifetime Limited Warranty

See website for detailed warranty information.



Technical Information

All product dimensions are nominal.

Faucet flow rate: 1.5 gal/min (5.7 l/min)

Spout:

Spout reach: 8-1/2" (216 mm)

Notes

Install this product according to the installation guide.

ADA compliant for faucet handles only.

ADA compliant for faucet handles only

ADA, CSA B651 compliant when installed to the specific requirements of these regulations.