

# KOHLER® Faucets

Centerset bathroom sink faucet, 1.2 gpm, project pack

**Coralais®**  
**K-P15241-4RA**

## Features

- Metal construction
- 4-7/16" (112 mm) spout reach
- Metal pop-up drain with lift rod and tailpiece
- Stationary spout
- Red/blue indexing
- Complements Coralais faucets and accessories
- Project pack: Supplied six per case
- 1.2 gpm (4.5 lpm) maximum flow rate at 60 psi (4.14 bar)

## Installation

- For 4" (102 mm) centers

## Recommended Products/Accessories

K-23726 Drain treatment

## Optional Products/Accessories

1160594 .35 gpm Aerator, Large



ADA

CSA B651

OBC

## Codes/Standards

ASME A112.18.1/CSA B125.1

NSF/ANSI/CAN 61

NSF/ANSI/CAN 372

DOE - Energy Policy Act 1992

EPA WaterSense®

ADA

ICC/ANSI A117.1

CSA B651

OBC

## KOHLER® Faucet Lifetime Limited Warranty

See website for detailed warranty information.

1-800-4KOHLER (1-800-456-4537)

Kohler Co. reserves the right to make revisions without notice to product specifications.

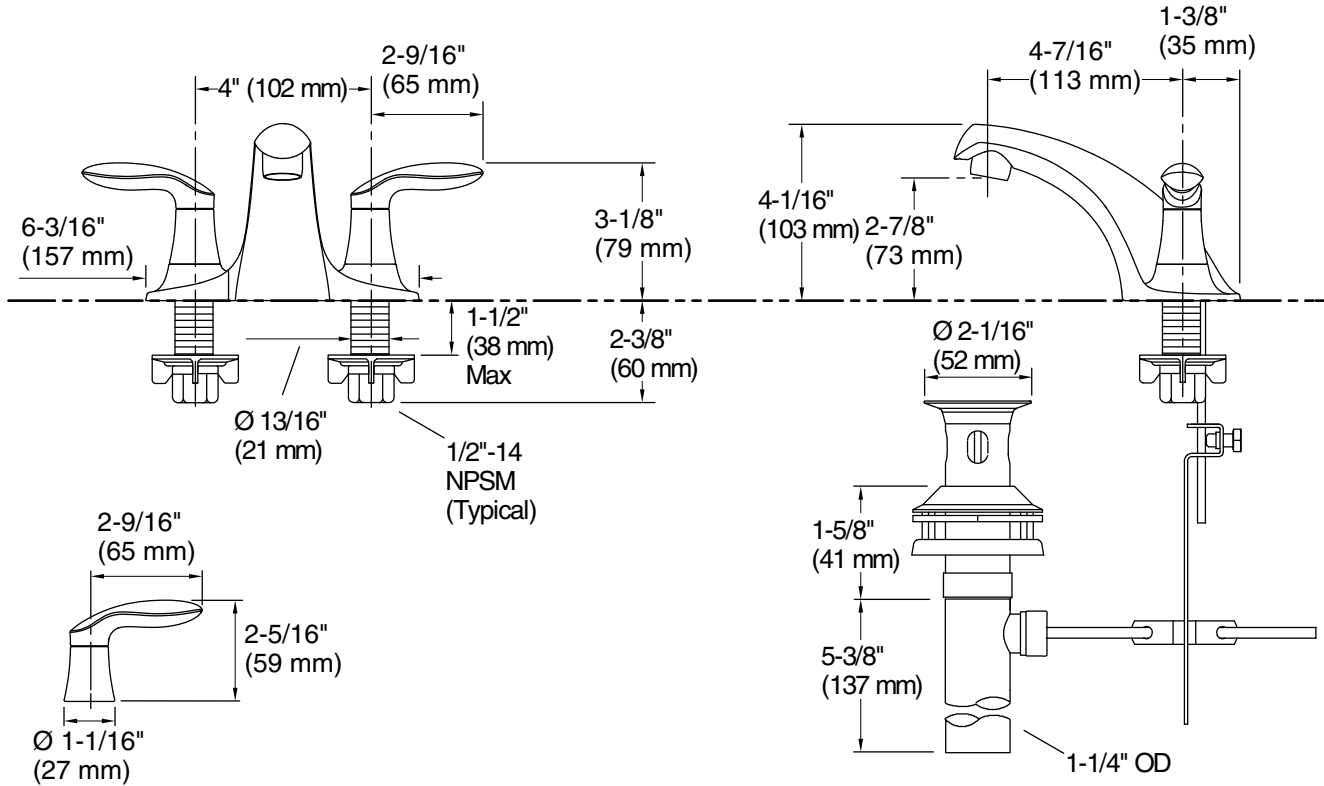
For the most current Specification Sheet, go to [www.kohler.com](http://www.kohler.com) USA or [www.kohler.ca](http://www.kohler.ca) Canada

3-25-2025 00:47 - US/CA

THE BOLD LOOK  
OF **KOHLER®**

# KOHLER® Faucets

Centerset bathroom sink faucet, 1.2 gpm, project pack  
**Coralais®**  
**K-P15241-4RA**



## Technical Information

All product dimensions are nominal.

Faucet flow rate: 1.2 gal/min (4.5 l/min)

Drain included: Yes

Drain with overflow: Yes

Drain tailpiece included: Yes

## Spout:

Spout reach: 4-7/16" (113 mm)

## Notes

Install this product according to the installation guide.

ADA compliant for handles only.

ADA, OBC, CSA B651 compliant when installed to the specific requirements of these regulations.