

Features

- Project pack: Supplied six per case
- Includes valve body, thermostatic cartridge, rough-in guide and mud guard
- 1/2" Universal NPT and direct sweat inlets and outlets with stops (installed)
- Service stops include integral check valves
- 9 gpm (34 l/min) maximum flow rate at 45 psi
- Single lever design cycles from off through cold to hot
- One-piece cartridge design simplifies installation and maintenance
- Adjustable high-temperature limit stop to control maximum water temperature
- Requires valve trim to complete installation (sold separately)

Material

- Forged dezincification-resistant brass body provides long term reliability and resistance to aggressive water conditions

Technology

- Thermostatic technology automatically maintains outlet temperature within +/- 3.6°F (+/- 2°C) during water pressure fluctuations

Installation

- Designed for use in standard, back-to-back and thin wall installations
- Valve body features integral mounting locations and symmetrical valve inlets to simplify installation
- Cartridge is reversible for installations where hot and cold supplies are reversed
- Rough-in guide designed for both standard and thin wall installations
- Installed valve rough-in can be flushed and pressure-tested to 150 psi max (air or water) without cartridge by using included test cap

Optional Products/Accessories

- K-10350 Deep rough-in kit
- K-10351 Test cap for K-8300 Series valve bodies

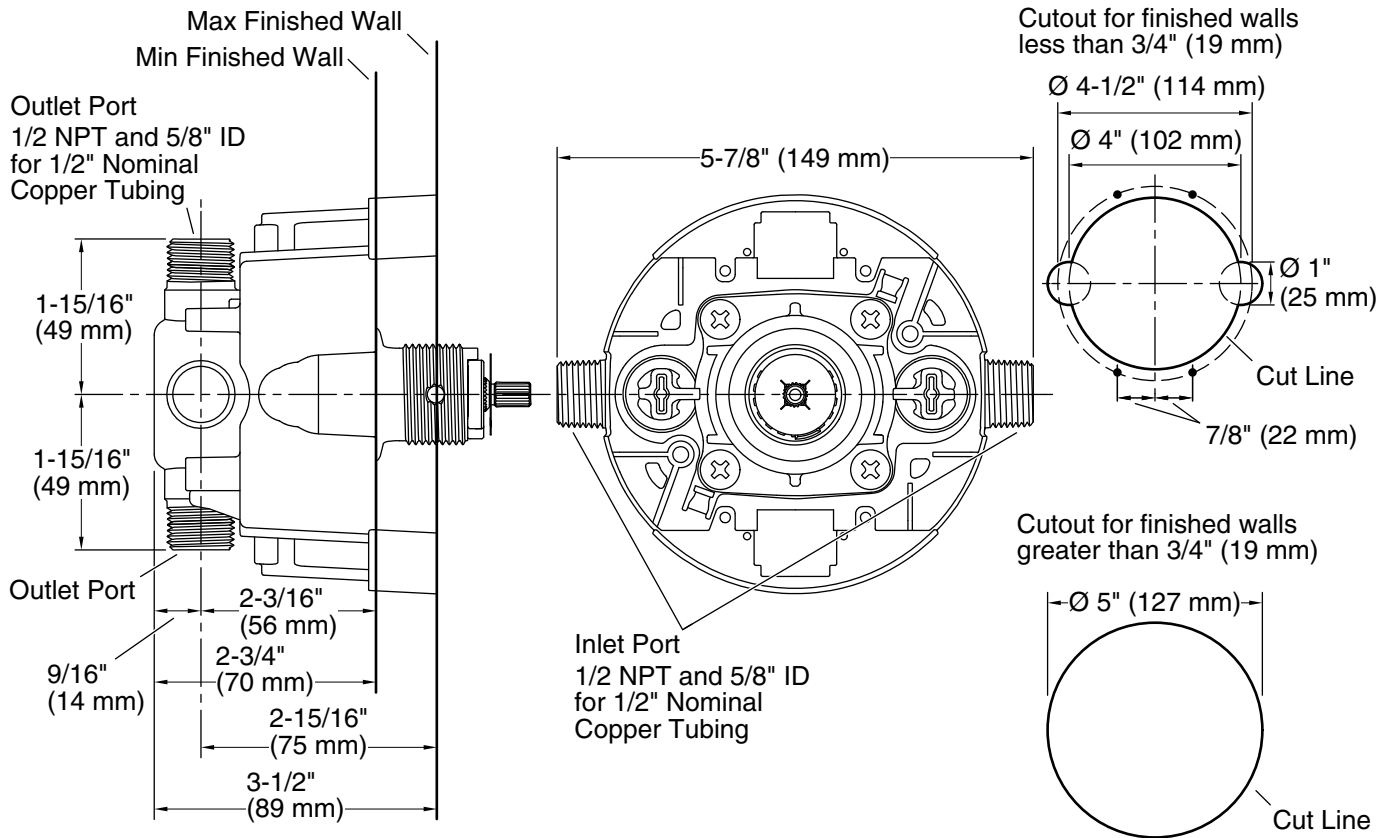


Codes/Standards

ASME A112.18.1/CSA B125.1
ASSE 1016/ASME A112.1016/CSA B125.16
IAPMO Certification

KOHLER® Faucet Lifetime Limited Warranty

See website for detailed warranty information.



Technical Information

All product dimensions are nominal.

Shower Valve:

Flow Rate (Max) @ 45 psi

Manufacturer's minimum rated flow:

Pressure:

Maximum (Static) Pressure:

Minimum (Operating) Pressure:

9 gal/min (34.1 l/min)

1.5 gal/min (5.7 l/min)

45 psi (3.1 bar)

125 psi (8.6 bar)

20 psi (1.4 bar)

Handshower:

Rated maximum flow: 0 gal/min (0 l/min)

Notes

Install this product according to the installation instructions.

For use with showerheads or handsprays rated at 1.5 gal/min (5.7 l/min) or higher.

Avoid cross-flow conditions. Do not install shutoff device on either valve outlet.

Cap the shower outlet if deck-mount spout, diverter, or handshower is connected to the spout outlet.