

Features

- Project pack: Supplied six per case
- Includes thermostatic cartridge and mud guard
- 9 gpm (34 l/min) maximum flow rate at 45 psi
- Single lever design cycles from off through cold to hot
- One-piece cartridge design simplifies installation and maintenance
- Adjustable high-temperature limit stop to control maximum water temperature

Material

- Materials selected to resist attack from aggressive water conditions

Technology

- Thermostatic technology automatically maintains outlet temperature within +/- 3.6°F (+/- 2°C) during water pressure fluctuations

Installation

- Cartridge is reversible for installations where hot and cold supplies are reversed

Required Products/Accessories

K-8300 Series Rite-Temp[®] Valve Body Rough-ins

Adapters, Rough-in and Extension Kits

10350 Range: 0" (0 mm) -
3/4" (19 mm)

Optional Products/Accessories

K-10350 Deep rough-in kit

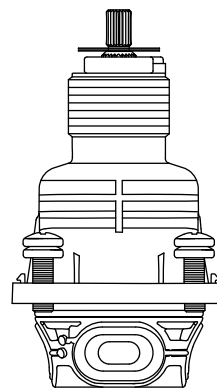
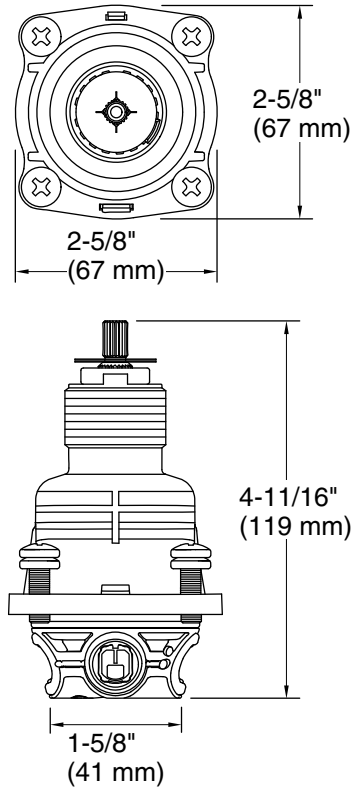


Codes/Standards

ASME A112.18.1/CSA B125.1
ASSE 1016/ASME A112.1016/CSA B125.16

KOHLER[®] Faucet Lifetime Limited Warranty

See website for detailed warranty information.



Technical Information

All product dimensions are nominal.

Spout:

Shower Valve:

Flow Rate (Max) @ 45 psi	9 gal/min (34.1 l/min)
Manufacturer's minimum rated flow:	1.5 gal/min (5.7 l/min)
Pressure:	45 psi (3.1 bar)
Maximum (Static) Pressure:	125 psi (8.6 bar)
Minimum (Operating) Pressure:	20 psi (1.4 bar)

Notes

Install this product according to the installation instructions.

For use with showerheads or handsprays rated at 1.5 gal/min (5.7 l/min) or higher.

Avoid cross-flow conditions. Do not install shutoff device on either valve outlet

Cap the shower outlet if deck-mount spout, diverter, or handshower is connected to the spout outlet.