

### Features

- Project pack: Supplied 12 per case
- Includes faceplate with handle, shower arm and flange
- A single handle controls both on/off activation and temperature setting
- Faceplate includes red and blue temperature indexing
- For use with any KOHLER showerhead (sold separately)
- Complements Coralais faucets and accessories

### Material

- Premium material construction with metal handle ensures reliability and durability
- KOHLER® finishes resist corrosion and tarnishing

### Installation

- Trim only; requires valve to complete installation (sold separately)

### Required Products/Accessories

K-8304 Series Rite-Temp® Valve & Cartridge Kits

or

K-8300 Series Rite-Temp® Valve Body Rough-ins

K-8305 Series Rite-Temp® Cartridges

### Recommended Products/Accessories

K-23723 Faucet cleaner

### Optional Products/Accessories

K-10350 Deep rough-in kit

K-10351 Test cap for K-8300 Series valve bodies



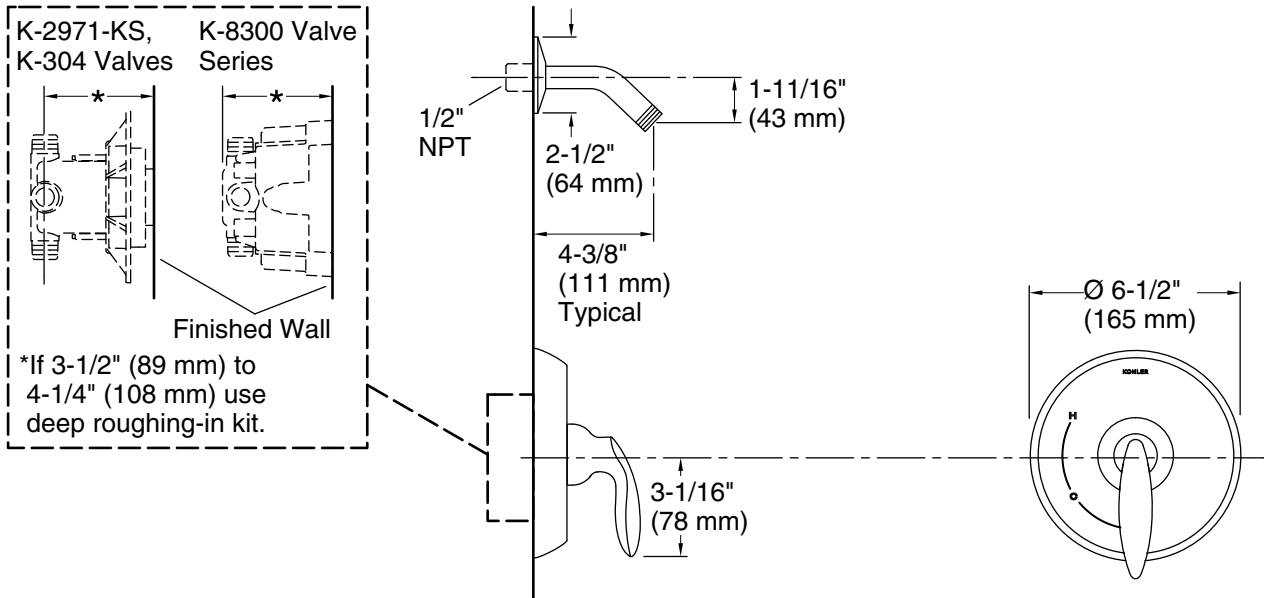
### Codes/Standards

ASME A112.18.1/CSA B125.1

IAPMO Certification

### KOHLER® Faucet Lifetime Limited Warranty

See website for detailed warranty information.



## Technical Information

All product dimensions are nominal.

### Handshower:

Rated maximum flow: 0 gal/min (0 l/min)

## Notes

Install this product according to the installation guide.

**NOTICE:** Risk of product damage. Long screws for installing trim can damage the K-2971-KS valve. Consult the trim installation guide to verify if the thin wall installation kit (88526) is needed.