



# Bardon™

High-efficiency urinal with Mach® Tripoint®  
flushometer  
K-PR4991-T1D

## Features

- Fixture and touchless flushometer combination is engineered for optimal performance
- Washout urinal
- 1 pint or 0.125 gpf (0.47 lpf)
- 3/4" (19 mm) top spud
- Flush valve activation distance is factory-set
- No external flush volume adjustment ensures water conservation
- 24-hour automatic sentinel flush keeps trapway fresh
- Mechanical override enables flushometer to be used manually even during a power outage
- Chloramine and chlorine resistance on all rubber components exposed to waterway
- Locking stop cap provides protection against vandalism
- 125-micron filter protects internal components
- High back pressure vacuum breaker
- Powered by 1.5V AA lithium batteries
- For this combination, order K-4991-ET urinal and K-10UD00D20 flushometer
- This product can help a building earn Water Efficiency points in LEED® Green Building Rating System

## Material

- Vitreous china urinal
- Brass flush valve with durable Polished Chrome finish

## Technology

- Electronic infrared sensor with Tripoint® technology for accurate activation
- Patented piston technology for superior flush volume accuracy



ADA

CSA B651

## Codes/Standards

ASME A112.18.1/CSA B125.1  
ASME A112.19.2/CSA B45.1  
ASSE 1037/ASME A112.1037/CSA B125.37  
DOE - Energy Policy Act 1992  
EPA WaterSense®  
California Energy Commission (CEC)  
ADA  
ICC/ANSI A117.1  
CSA B651  
IAPMO Certification

## KOHLER® One-Year Limited Warranty

See website for detailed warranty information.

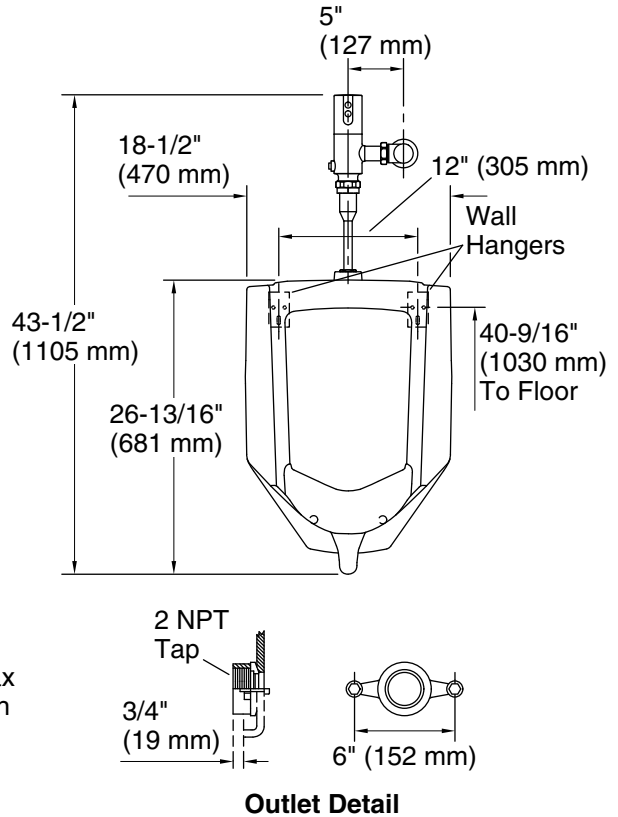
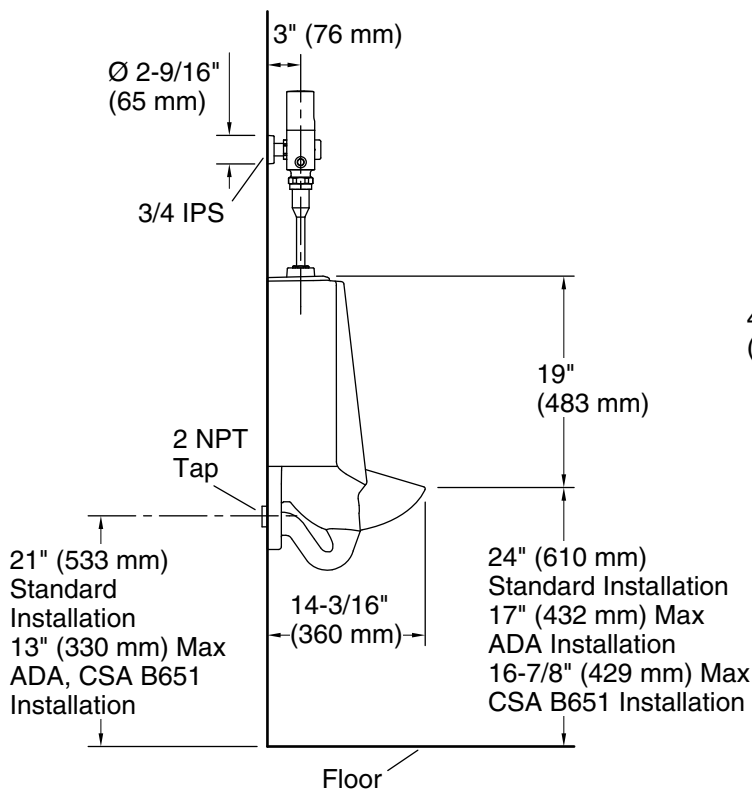
1-800-4KOHLER (1-800-456-4537)

Kohler Co. reserves the right to make revisions without notice to product specifications.

For the most current Specification Sheet, go to [www.kohler.com](http://www.kohler.com) USA or [www.kohler.ca](http://www.kohler.ca) Canada

7-9-2024 23:08 - US

THE BOLD LOOK  
OF **KOHLER**®



## Technical Information

All product dimensions are nominal.

|                       |                     |
|-----------------------|---------------------|
| Spud size:            | 3/4, Outlet, Top    |
| Min. Water per Flush: | 0.125 gpf (0.5 lpf) |
| Max. Water per Flush: | 0.125 gpf (0.5 lpf) |

Designed for the above water use when installed with a water-saving flushometer.

## Pressure and Supply Requirements

|                                |                    |
|--------------------------------|--------------------|
| Fixture pressure min (static): | 25 psi (172.4 kPa) |
| Fixture flow rate min:         | 25 gpm (94.6 lpm)  |
| Fixture pressure max (static): | 80 psi (551.6 kPa) |

## Notes

Install this product according to the installation instructions.

ADA, CSA B651 compliant when installed to the specific requirements of these regulations.