



**Verse™**  
top-mount kitchen sink  
**K-R20060-3**

**Features**

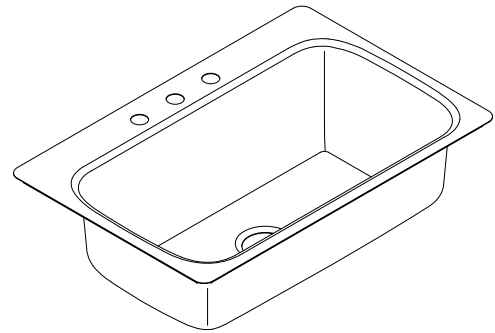
- 36" minimum base cabinet width
- Single bowl
- 9" (229 mm) depth provides generous workspace
- Three faucet holes
- Includes installation hardware

**Installation**

- Top-mount

**Optional Products/Accessories**

K-9000 P-Trap



**Codes/Standards**

ASME A112.19.3/CSA B45.4

IAPMO Certification

**KOHLER® Stainless Steel Sinks**

**Lifetime Limited Warranty**

See website for detailed warranty information.

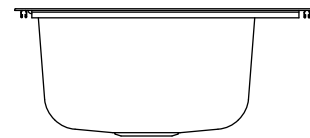
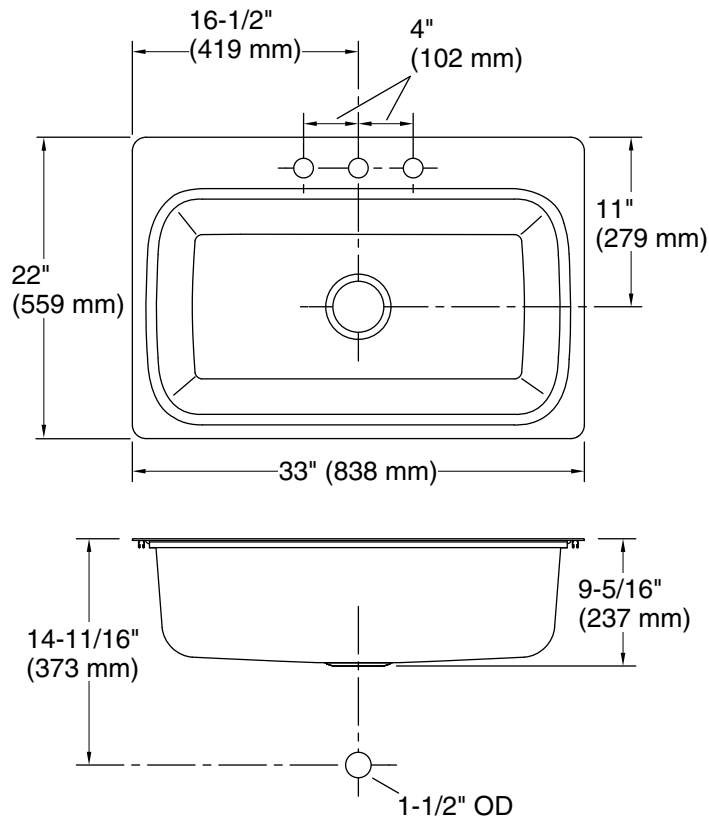
1-800-4KOHLER (1-800-456-4537)

Kohler Co. reserves the right to make revisions without notice to product specifications.

For the most current Specification Sheet, go to [www.kohler.com](http://www.kohler.com) USA or [www.kohler.ca](http://www.kohler.ca) Canada

11-1-2024 23:50 - CA

THE BOLD LOOK  
OF **KOHLER®**



## Technical Information

All product dimensions are nominal.

Basin configuration: Single Bowl  
Min. base cabinet width: 36" (914 mm)

Bowl area (Only): Length: 29-7/16" (748 mm)  
Width: 15-11/16" (399 mm)  
Bowl depth: 9" (229 mm)  
Water depth: 9" (229 mm)

Number of deck holes: 3

Drain hole: 3-3/4" (94 mm)

Template: Top-mount, 1068371-7, required, not included

## Notes

Install this product according to the installation instructions.

**NOTICE:** Countertop manufacturer or cutter must use the cut-out template provided with the product, or a current one provided by Kohler Co. (call 1-800-4-KOHLER). Kohler Co. is not responsible for cutout errors when the incorrect cut-out template is used.