

## Aderlee® | K-R21546-4D

Centerset bathroom sink faucet, 1.2 gpm

### Features

- Two Lever handles offer separate control of hot and cold water
- KOHLER® ceramic disc valves exceed industry longevity standards for a lifetime of durable performance
- 1.2 gpm (4.5 lpm) maximum flow rate
- 120° spout rotation offers flexible water containment within sink space
- Spout swivels to allow for unobstructed use of the sink



### Sustainability



### Available Colors/Finishes

*Color tiles intended for reference only.*

- CP Polished Chrome
- G Brushed Chrome
- BN Vibrant Brushed Nickel



## Codes/Standards

ADA, OBC, CSA B651 compliant when installed to the specific requirements of these regulations.



ADA   CSA B651   OBC

ASME A112.18.1/CSA B125.1  
NSF/ANSI/CAN 372  
NSF/ANSI/CAN 61  
DOE - Energy Policy Act 1992  
EPA WaterSense®  
California Energy Commission (CEC)  
NSF/ANSI/CAN 61|NSF/ANSI/CAN 372  
ADA  
ICC/ANSI A117.1  
CSA B651  
OBC

## Technical Information

All product dimensions are nominal.

### Handle

Handle Style/ Type:                      Lever

### Spout

Spout Reach:                                5-3/16" (132 mm)

### Flow Rate

Faucet Flow Rate:                        1.2 gpm (4.5 l/min)

## Valves

Included Valve:                            Ceramic disc

## Material

- Premium material construction for durability and reliability
- Select KOHLER finishes feature ScratchShield® technology which withstands even the toughest daily use

## Recommended Products/Accessories

K-23726 Drain treatment

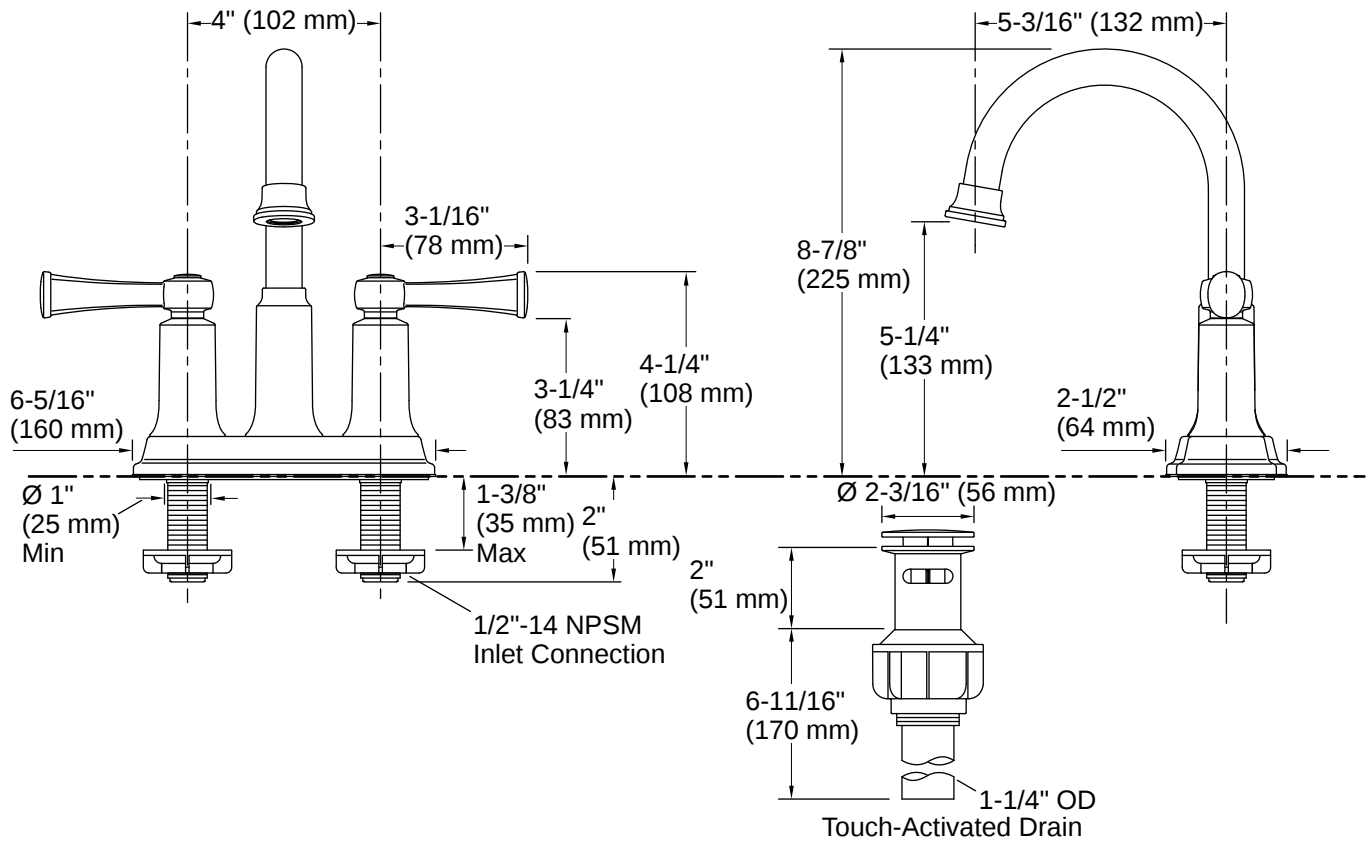
K-23723 Faucet cleaner

## Warranty

See website for detailed warranty information.

KOHLER® Faucet Lifetime Limited Warranty





## Installation

- For installation with 4" centers
- Simplified faucet installation; mounting hardware requires no special tools

## Installation Notes

*Install this product according to the installation instructions.*

ADA compliant for handles only.  
ADA, OBC, CSA B651 compliant when installed to the specific requirements of these regulations.

