

K-R22745-SD

Semi-professional kitchen sink faucet with soap/lotion dispenser

Features

- Professional-style faucet with an easy-to-clean coated hose and removable coil
- Unique three-function sprayhead with Sweep® spray, Boost technology and aerated stream
- Sweep® spray creates a wide, forceful blade of water for superior cleaning
- Boost technology increases the flow rate by 30% with the press of a button
- KOHLER® ceramic disc valves exceed industry longevity standards for a lifetime of durable performance
- MasterClean™ sprayface features an easy-to-clean surface that withstands mineral buildup and maximizes spray performance
- Single lever handle is simple to use and makes adjusting water temperature easy
- Includes top-filled soap/lotion dispenser
- 1.5 gpm (5.7 lpm) maximum flow rate at 60 psi (4.14 bar)
- Box includes: Assembled faucet, supply lines, escutcheon plate, soap/lotion dispenser
- DockNetik® secure docking system locks sprayhead into place when not in use



Sustainability



Available Colors/Finishes

Color tiles intended for reference only.

- CP Polished Chrome
- VS Vibrant Stainless



Codes/Standards

ADA, CSA B651 compliant when installed to the specific requirements of these regulations.

ADA CSA B651

ASME A112.18.1/CSA B125.1
NSF/ANSI/CAN 372
NSF/ANSI/CAN 61
DOE - Energy Policy Act 1992
California Energy Commission (CEC)
ADA
ICC/ANSI A117.1
CSA B651

Technical Information

All product dimensions are nominal.

Handle

Handle Style/ Type: Lever

Spout

Spout Reach: 9" (229 mm)

Flow Rate

Faucet Flow Rate: 1.5 gpm (5.7 l/min)

Valves

Included Valve: Ceramic disc

Material

- Premium metal construction for durability and reliability
 - Select KOHLER finishes feature ScratchShield® technology which withstands even the toughest daily use
-

Recommended Products/Accessories

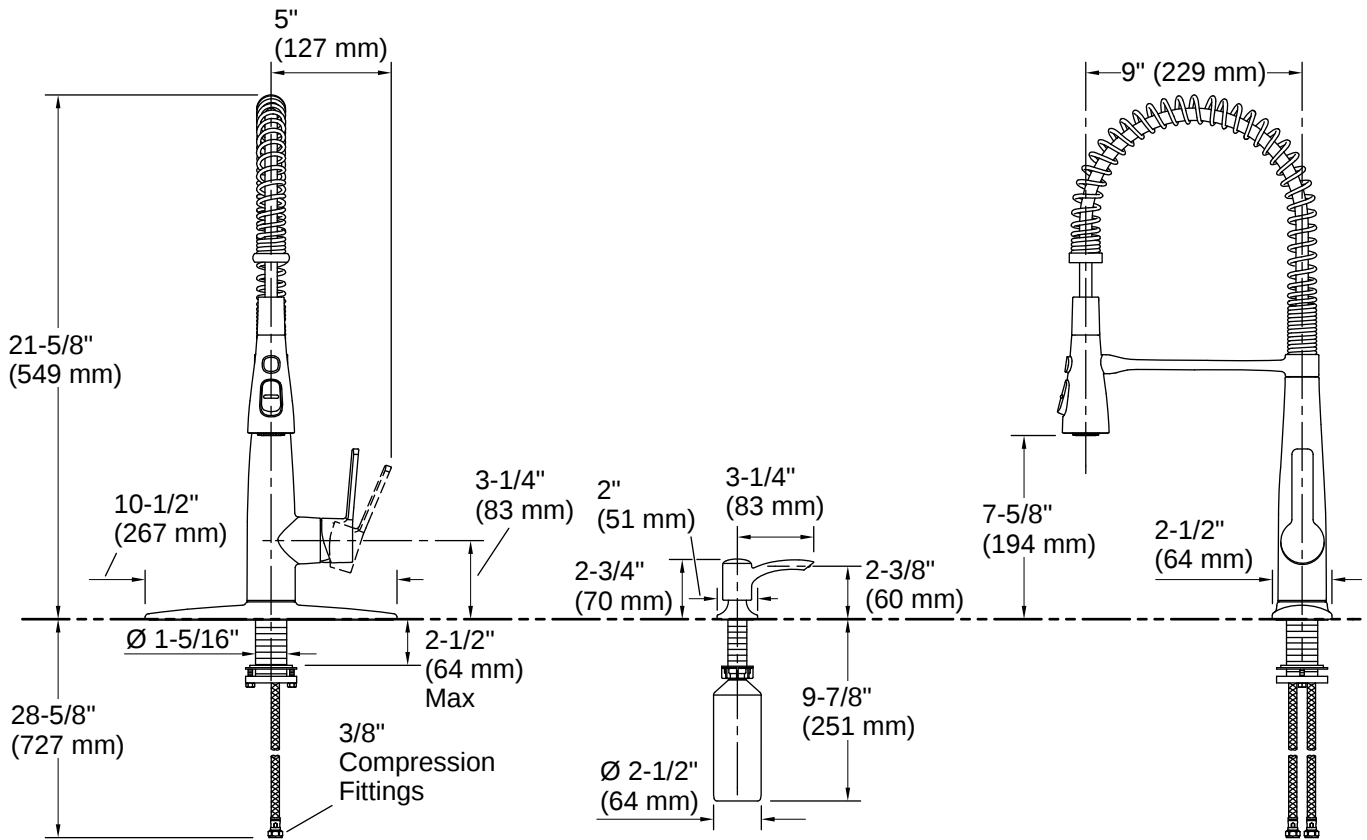
K-23723 Faucet cleaner

Warranty

See website for detailed warranty information.

KOHLER® Faucet Lifetime Limited Warranty





Installation

- Installs with 1-, 2-, 3-, or 4- hole sink (escutcheon plate included)
- Flexible supply lines and quick-connect fittings simplify installation
- Longer shank works with countertops up to 2 1/2" inches thick and is easy to install.
- Required for installation: Adjustable wrench, Phillips screwdriver

Installation Notes

Install this product according to the installation instructions.

ADA compliant for faucet handles only.
 ADA compliant for faucet handles only
 ADA, CSA B651 compliant when installed to the specific requirements of these regulations.

