



Maxton® | K-R22867-SD

Pull-down kitchen faucet with soap/lotion dispenser

Features

- Sweep® spray features specially angled nozzles that form a wide, powerful blade of water to sweep your dishes and sink clean
- MasterClean™ sprayface features an easy-to-clean surface that withstands mineral buildup and maximizes spray performance
- High-arch spout offers vertical clearance for tall cookware and pitchers
- Two-function pull-down sprayhead allows you to switch from aerated stream to Sweep® spray
- Temperature memory allows faucet to be turned on and off at the temperature set during prior usage
- KOHLER® ceramic disc valves exceed industry longevity standards for a lifetime of durable performance
- 1.5 gpm (5.7 lpm) maximum flow rate at 60 psi (4.14 bar)
- Box includes: Assembled faucet, supply lines, escutcheon plate, soap/lotion dispenser
- DockNetik® secure docking system locks sprayhead into place when not in use



Sustainability



Available Colors/Finishes

Color tiles intended for reference only.

- CP Polished Chrome
- VS Vibrant Stainless
- BL Matte Black



1-800-4KOHLER (1-800-456-4537)

Kohler Co. reserves the right to make revisions without notice to product specifications. For the most current specification sheet, go to www.kohler.com USA or www.kohler.ca Canada. 3-27-2026 15:28 - US-CA

THE BOLD LOOK
OF **KOHLER**

Codes/Standards

ADA, CSA B651 compliant when installed to the specific requirements of these regulations.

ADA CSA B651

ASME A112.18.1/CSA B125.1
NSF/ANSI/CAN 372
NSF/ANSI/CAN 61
DOE - Energy Policy Act 1992
California Energy Commission (CEC)
NSF/ANSI/CAN 61|NSF/ANSI/CAN 372
ADA
ICC/ANSI A117.1
CSA B651

Warranty

See website for detailed warranty information.

KOHLER® Faucet Lifetime Limited Warranty

Technical Information

All product dimensions are nominal.

Handle

Handle Style/ Type: Lever

Spout

Spout Reach: 9" (229 mm)

Flow Rate

Faucet Flow Rate: 1.5 gpm (5.7 l/min)

Valves

Included Valve: Ceramic disc

Material

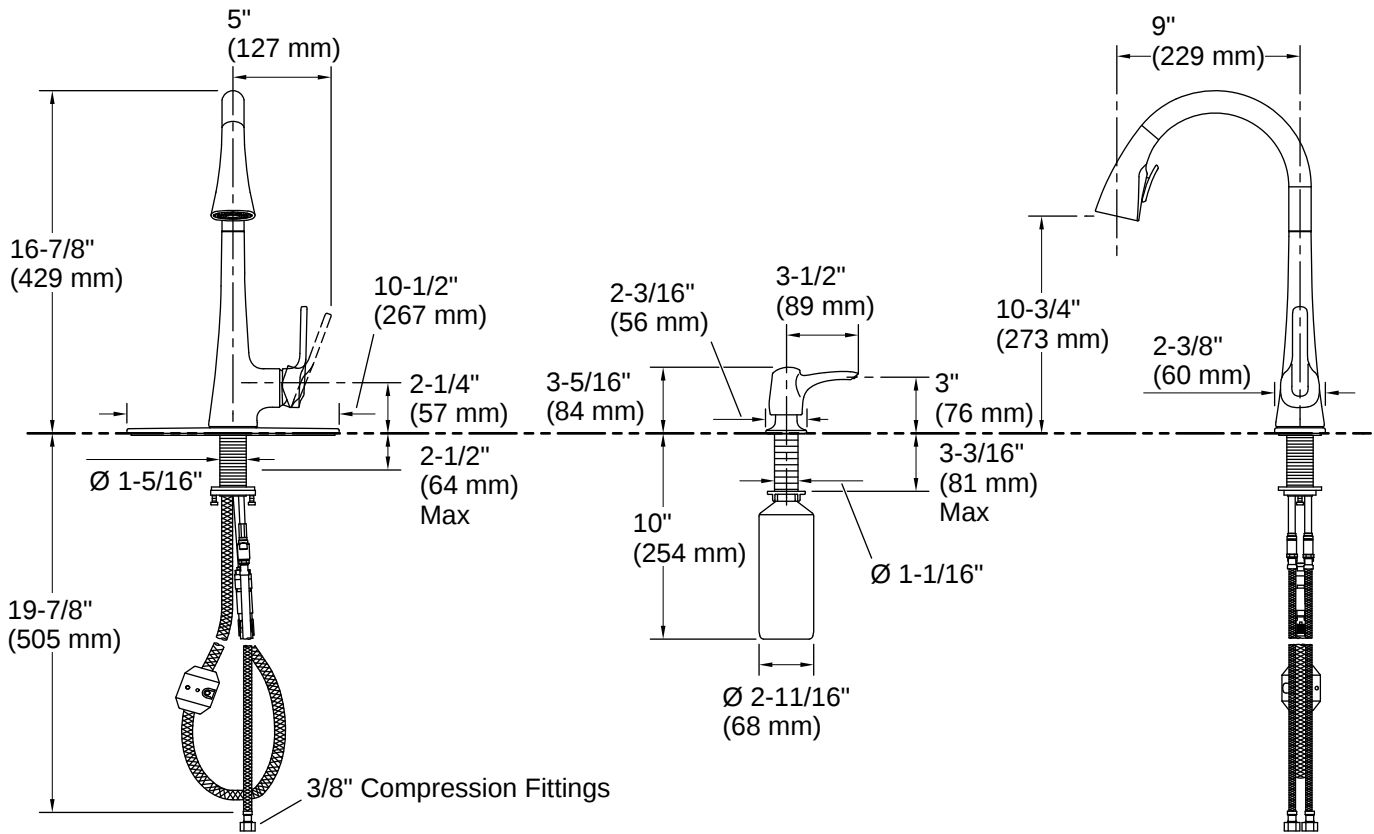
- Premium metal construction for durability and reliability
- Select KOHLER finishes feature ScratchShield® technology which withstands even the toughest daily use

Recommended Products/Accessories

K-23723 Faucet cleaner



1-800-4KOHLER (1-800-456-4537)
Kohler Co. reserves the right to make revisions without notice to product specifications.
For the most current specification sheet, go to www.kohler.com USA or www.kohler.ca Canada.
3-27-2026 15:28 - US-CA



Installation

- Installs with 1-, 2-, 3-, or 4-hole sinks (escutcheon plate included)
- Flexible supply lines and quick-connect fittings simplify installation
- Longer shank works with countertops up to 2½" inches thick and is easy to install.

Installation Notes

Install this product according to the installation instructions.

ADA compliant for faucet handles only.
 ADA compliant for faucet handles only
 ADA, CSA B651 compliant when installed to the specific requirements of these regulations.

