

Ealing® | K-R39827-1AC

32-1/2" undermount single-bowl workstation kitchen sink

Features

- 33" (838 mm) minimum base cabinet width
- Single bowl
- 9" (229 mm) depth provides generous workspace
- Right rear drain placement increases workspace in the sink and storage space underneath
- Rounded 3/8" (10 mm) corners are easy to clean
- Matte finish offers rich, dimensional color
- Included accessories: bamboo cutting board, colander, stainless steel bottom sink rack, drain with strainer



Available Colors/Finishes

Color tiles intended for reference only.

- CM1 Matte Black



Codes/Standards

CSA B45.5/IAPMO Z124

Technical Information

All product dimensions are nominal.

Drain Hole Diameter:	3-7/8" (98 mm)
Minimum Base Cabinet Width:	33" (838 mm)
Basin Configuration:	Single Bowl
Basin Length:	27-1/4" (692 mm)
Basin Width:	15-9/16" (395 mm)
Basin Depth:	9" (229 mm)

Material

- KOHLER Neoroc® composite is durable and built to withstand day-to-day cleaning tasks
- Solid color throughout the sink
- Heat-resistant up to 750°F
- Scratch-, stain-, chip-, and thermal-shock-resistant

Recommended Products/Accessories

K-35489 Professional-style cutting board

K-35484 Three-piece workstation prep bowl set

K-35491 Marble serving tray

K-35487 Three-piece ice bucket set

K-35488 Ice bucket holder

K-35485 Workstation sink cover

K-35482 Drain cover

K-11352 Disposal flange with stopper

K-8801 Sink drain and strainer with tailpiece

K-8799 Sink drain and strainer basket, less tailpiece

K-23726 Drain treatment

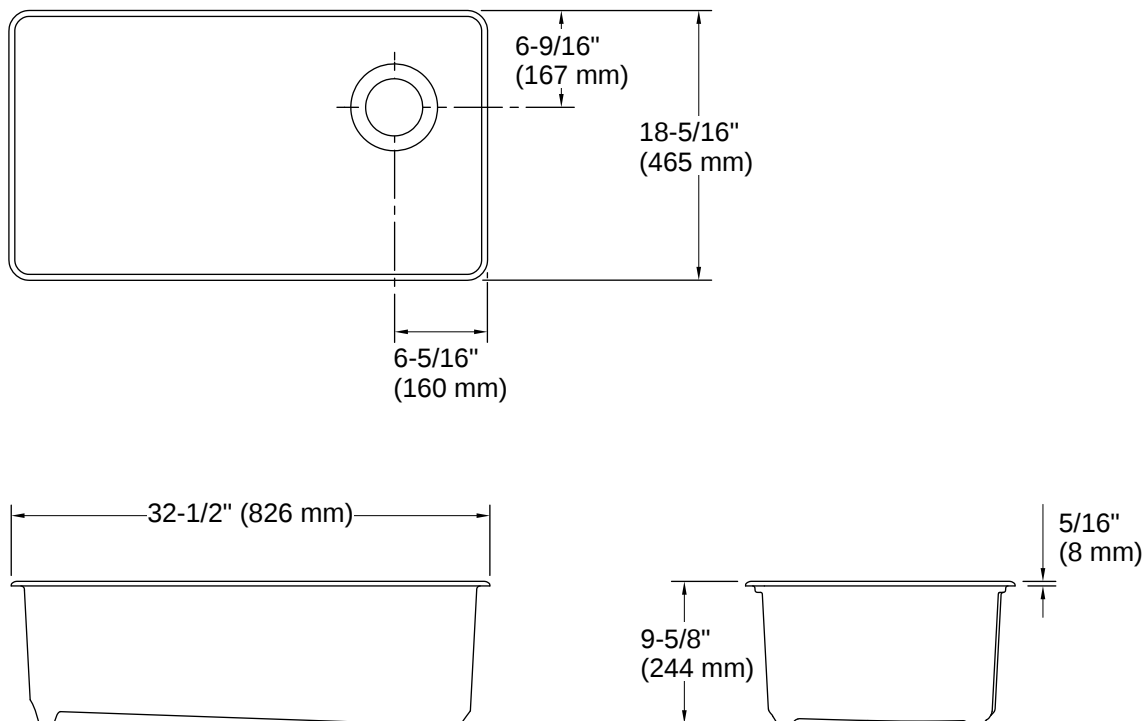
K-23730 Neoroc cleaner

Warranty

See website for detailed warranty information.

KOHLER® Neoroc® Sinks Lifetime Limited Warranty|KOHLER® One-Year Limited Warranty





Installation

- Undermount
- Installation hardware and templates included

Installation Notes

Install this product according to the installation instructions.

NOTICE: Countertop manufacturer or cutter must use the cut-out template provided with the product, or a current one provided by Kohler Co. (call 1-800-4KOHLER). Kohler Co. is not responsible for cutout errors when the incorrect cut-out template is used.

