

Features

- 36" (914 mm) minimum base cabinet width
- Single bowl
- 9" (229 mm) depth provides generous workspace
- Rear drain placement increases cabinet storage space underneath sink
- Bowl slopes toward drain to minimize water pooling
- Single faucet hole
- Box includes: Sink, sink rack, drain and strainer, acacia cutting board, two-piece nested colander, cutout template, installation hardware

Material

- Premium 18-gauge stainless steel
- Acacia wood
- Polypropylene

Installation

- Top-mount or undermount

Recommended Products/Accessories

- K-21616 Stainless steel sink rack
- K-8801 Sink drain and strainer with tailpiece
- K-8799 Sink drain and strainer basket
- K-23729 Stainless steel cleaner

Optional Products/Accessories

- K-9000 P-Trap

Included Components

- K-21614 Colander set
- K-21616 Stainless steel sink rack
- K-23379 cutting board
- 7400 Stainless Steel Sink Drain and Strainer

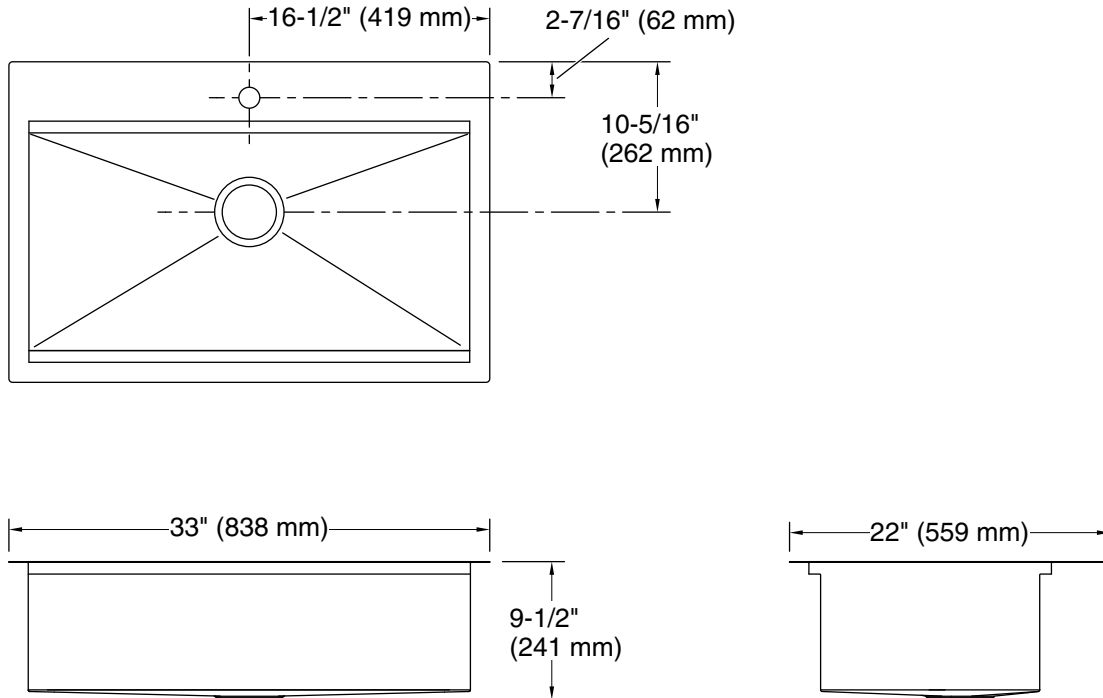


Codes/Standards

ASME A112.19.3/CSA B45.4

KOHLER® Stainless Steel Sinks Lifetime Limited Warranty

See website for detailed warranty information.



Technical Information

All product dimensions are nominal.

Basin configuration: Single Bowl

Min. base cabinet width: 36" (914 mm)

Bowl area (Basin #1):
Length: 30-1/4" (768 mm)
Width: 14-15/16" (379 mm)
Water depth: 9-3/16" (233 mm)

With overflow: No

Number of deck holes: 1

Faucet hole(s): 1-7/16" (37 mm)

Drain hole: 3-3/4" (94 mm)

Template: Top-mount/Undermount, 1130821-7, required, included

Notes

Install this product according to the installation instructions.