

Mistos® | K-R72510-SD

4-hole kitchen faucet with 11" pull-out spout and soap/lotion dispenser

Features

- Single lever handle is simple to use and makes adjusting water temperature easy
- Two-function pullout sprayhead with touch-control allows you to switch from stream to spray
- MasterClean™ sprayface features an easy-to-clean surface that withstands mineral buildup and maximizes spray performance
- Includes soap/lotion dispenser
- KOHLER® ceramic disc valves exceed industry longevity standards for a lifetime of durable performance
- ProMotion® technology's light, quiet braided hose and swiveling ball joint make the pull-out sprayhead easier and more comfortable to use
- 1.5 gpm (5.7 lpm) maximum flow rate at 60 psi (4.14 bar)



Sustainability



Codes/Standards

ADA, CSA B651 compliant when installed to the specific requirements of these regulations.

ADA CSA B651

ASME A112.18.1/CSA B125.1
NSF/ANSI/CAN 372
NSF/ANSI/CAN 61
DOE - Energy Policy Act 1992
California Energy Commission (CEC)
NSF/ANSI/CAN 61|NSF/ANSI/CAN 372
ADA
ICC/ANSI A117.1
CSA B651

Warranty

See website for detailed warranty information.

KOHLER® Faucet Lifetime Limited Warranty

Technical Information

All product dimensions are nominal.

Handle

Handle Style/ Type: Lever

Spout

Spout Reach: 8-1/4" (210 mm)

Flow Rate

Faucet Flow Rate: 1.5 gpm (5.7 l/min)

Valves

Included Valves: Ceramic disc, Thermostatic Mixer

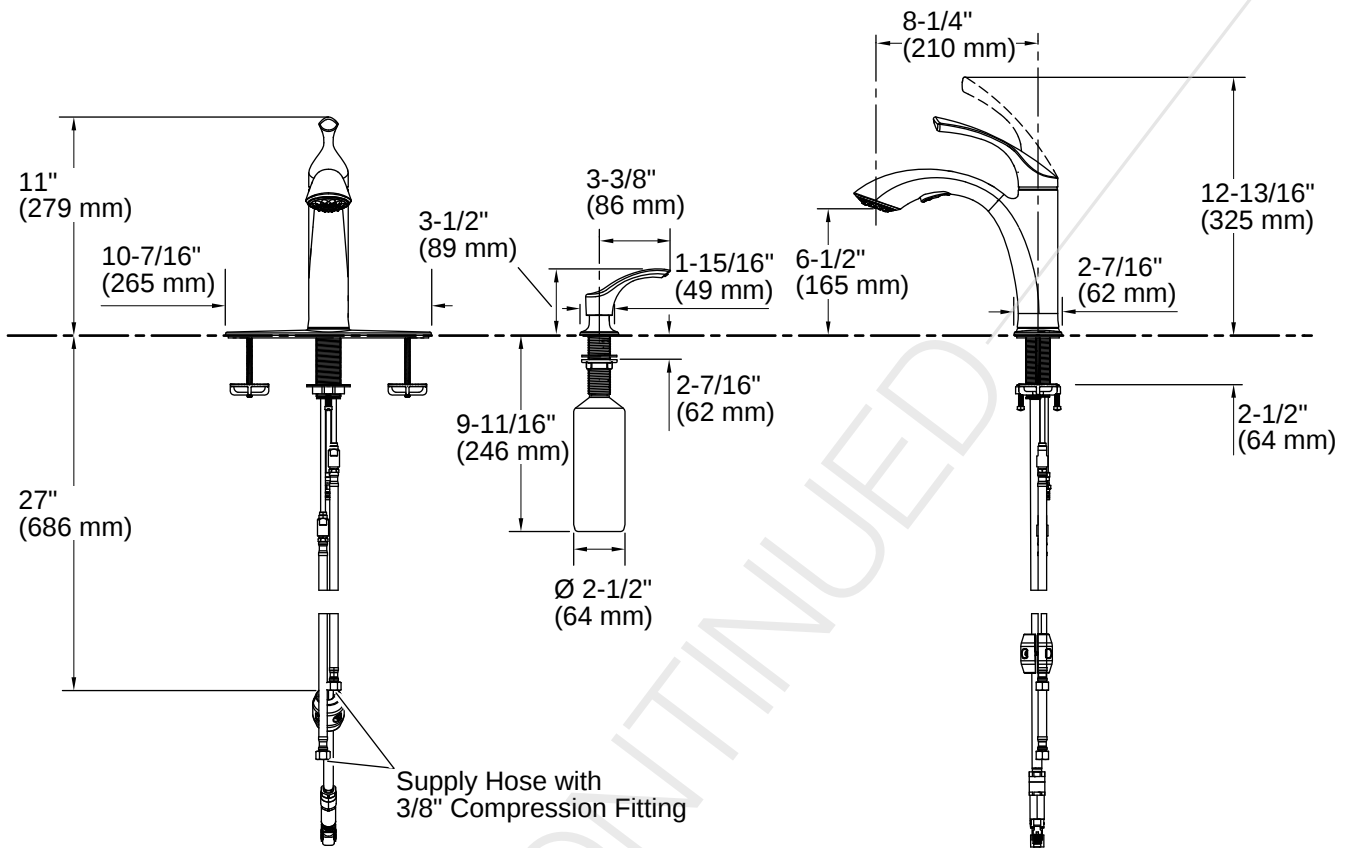
Material

- KOHLER finishes resist corrosion and tarnishing
- Premium metal construction for durability and reliability

Recommended Products/Accessories

K-23723 Faucet cleaner





Installation

- Installs with 1-, 2-, 3-, or 4- hole sink (escutcheon plate included)
- Flexible supply lines and installation ring simplify installation

Installation Notes

Install this product according to the installation instructions.

Faucet contains all necessary parts for both single-hole and three-hole installations.

ADA compliant for faucet handles only.

ADA compliant for faucet handles only

ADA, CSA B651 compliant when installed to the specific requirements of these regulations.

