

## Barossa® | K-R776-SD

Pull-down kitchen sink faucet with two-function sprayhead

### Features

- One-piece, self-contained ceramic disc valve allows for both volume and temperature control
- Two-function sprayhead with touch control: Sweep™ spray and aerated stream settings
- MasterClean™ sprayface features an easy-to-clean surface that withstands mineral buildup and maximizes spray performance
- ProMotion® technology's light, quiet braided hose and swiveling ball joint make the pull-down sprayhead easier and more comfortable to use
- Includes 10-1/2" (267 mm) escutcheon plate and refillable 16 fluid ounce (473 ml) soap dispenser
- 1.5 gpm (5.7 lpm) maximum flow rate at 60 psi (4.14 bar)
- DockNetik® secure docking system locks sprayhead into place when not in use



### Sustainability



## Codes/Standards

ADA, CSA B651 compliant when installed to the specific requirements of these regulations.

ADA CSA B651

ASME A112.18.1/CSA B125.1  
NSF/ANSI/CAN 372  
NSF/ANSI/CAN 61  
DOE - Energy Policy Act 1992  
California Energy Commission (CEC)  
NSF/ANSI/CAN 61|NSF/ANSI/CAN 372  
ADA  
ICC/ANSI A117.1  
CSA B651

## Warranty

See website for detailed warranty information.

KOHLER® Faucet Lifetime Limited Warranty

## Technical Information

All product dimensions are nominal.

### Handle

Handle Style/ Type: Lever

### Spout

Spout Reach: 9" (229 mm)

### Flow Rate

Faucet Flow Rate: 1.5 gpm (5.7 l/min)

## Valves

Included Valves: Ceramic disc, Thermostatic, Volume Control

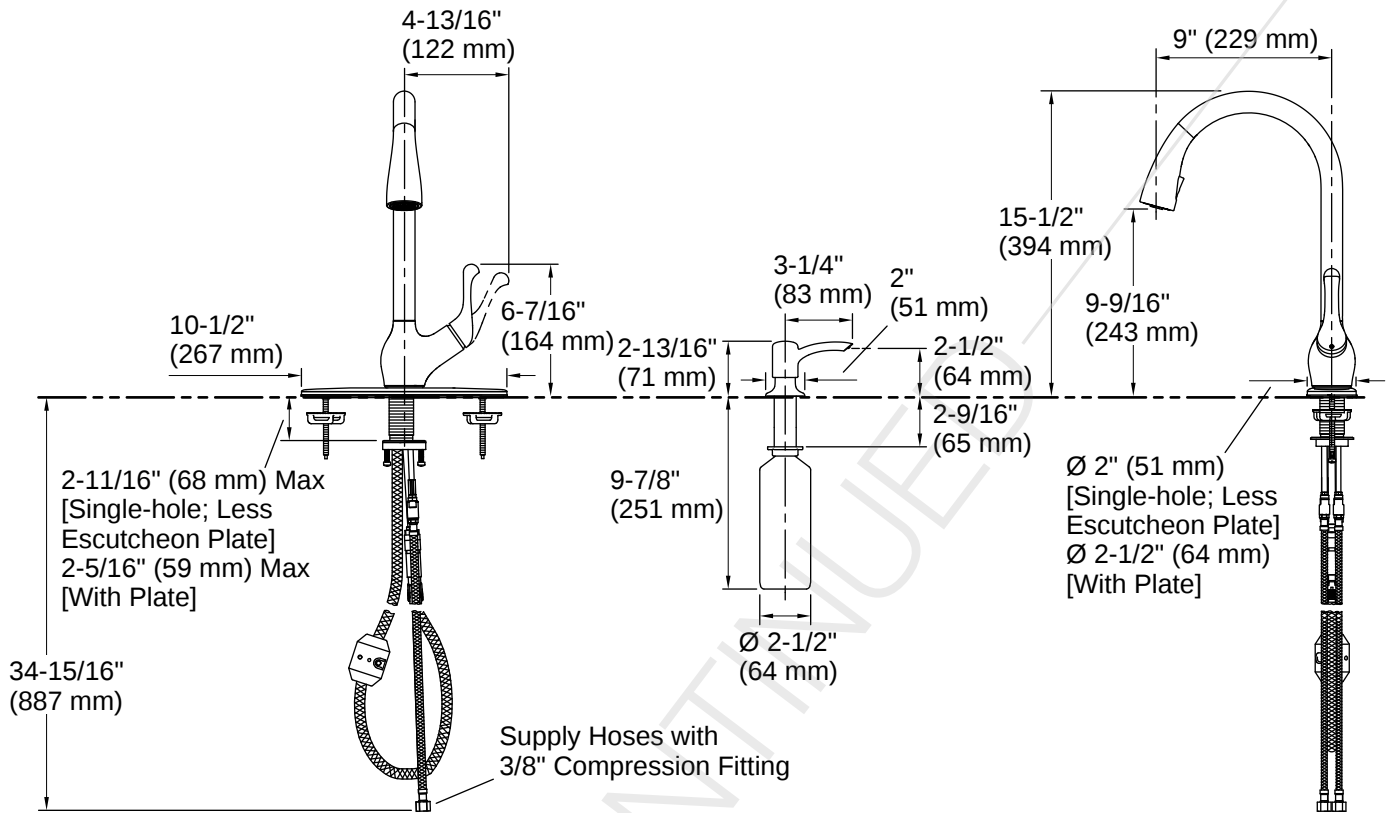
## Material

- Premium metal construction for durability and reliability
- KOHLER finishes resist corrosion and tarnishing

## Recommended Products/Accessories

K-23723 Faucet cleaner





## Installation

- Left- or right- handle installation and 360° spout rotation
- Includes flexible connections for easy installation
- For one-, two-, three-, or four-hole installation

## Installation Notes

*Install this product according to the installation instructions.*

ADA compliant for faucet handles only.  
 ADA compliant for faucet handles only  
 ADA, CSA B651 compliant when installed to the specific requirements of these regulations.

