



Pro-Inspired | K-RC78957-1PC

33" top-/undermount single-bowl kitchen sink kit

Features

- 36" minimum base cabinet width
- Single bowl
- 9" (229 mm) depth provides generous workspace
- Tightly angled fabricated corners maximize bowl space
- Professional-style faucet with an easy-to-clean coated hose and removable coil
- Three-function pull-down sprayhead with touch control allows you to switch between aerated stream, Sweep® spray, and Boost technology
- Sweep® spray creates a wide, forceful blade of water for superior cleaning
- Boost technology increases the flow rate by 30% with the press of a button
- Box includes: Sink, assembled Vibrant® Stainless semi-professional faucet, supply lines, bamboo cutting board, silicone sink mat, drain with strainer, installation hardware



Sustainability



Available Colors/Finishes

Color tiles intended for reference only.

 NA Stainless Steel



1-800-4KOHLER (1-800-456-4537)
Kohler Co. reserves the right to make revisions without notice to product specifications.
For the most current specification sheet, go to www.kohler.com USA or www.kohler.ca Canada.
6-29-2026 20:5 - US-CA

THE BOLD LOOK
OF **KOHLER**

Codes/Standards

ASME A112.18.1/CSA B125.1
ASME A112.19.3/CSA B45.4
NSF/ANSI/CAN 372
NSF/ANSI/CAN 61
DOE - Energy Policy Act 1992
California Energy Commission (CEC)

Warranty

See website for detailed warranty information.

KOHLER® Stainless Steel Sinks Lifetime Limited
Warranty|KOHLER® Faucet Lifetime Limited Warranty

Technical Information

All product dimensions are nominal.

Number of Deck Holes:	1
Faucet Hole(s) Size:	1-7/16" (37 mm)
Drain Hole Diameter:	3-3/4" (94 mm)
Minimum Base Cabinet Width:	36" (914 mm)
Basin Configuration:	Single Bowl
Basin Length:	30-1/4" (768 mm)
Basin Width:	14-15/16" (379 mm)
Basin Depth:	9-3/16" (233 mm)

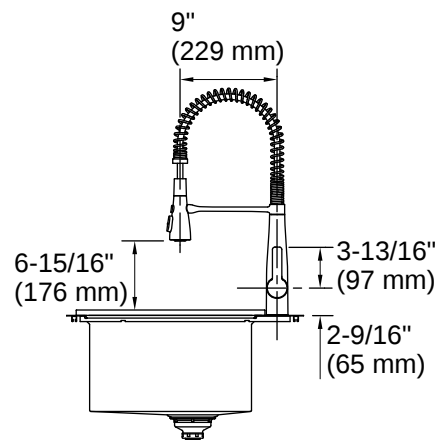
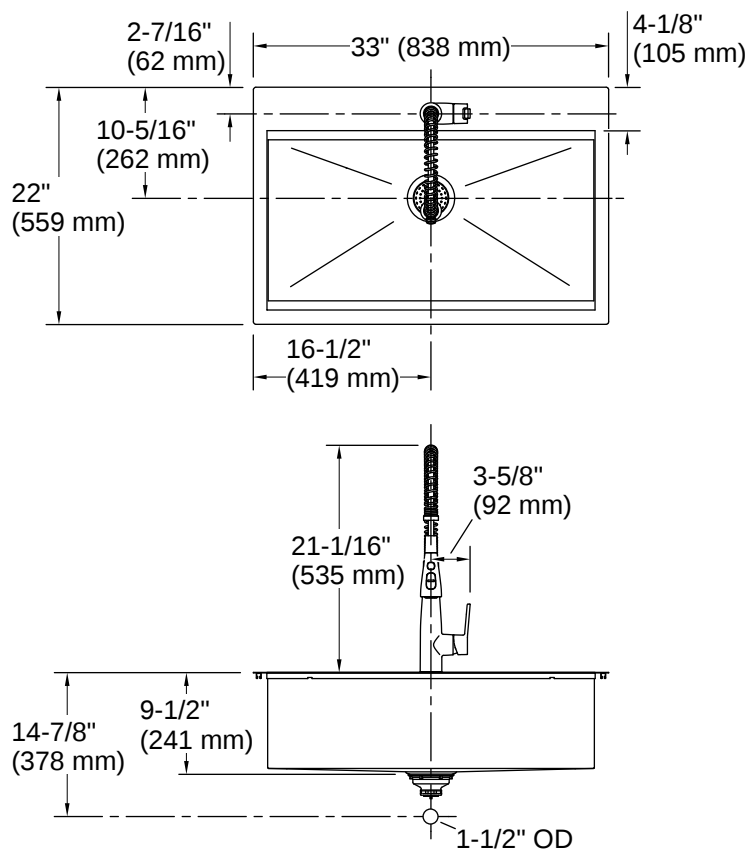
Material

- Premium 18-gauge stainless steel
- Premium metal construction for durability and reliability

Recommended Products/Accessories

K-23726 Drain treatment
K-23729 Stainless steel cleaner
K-21616 Stainless steel sink rack
K-9000 Adjustable P-trap with tubing outlet, 1-1/2" x 1-1/2"
K-11352 Disposal flange with stopper
K-8801 Sink drain and strainer with tailpiece
K-8799 Sink drain and strainer basket, less tailpiece





Installation

- Top-mount or undermount
- Single hole
- Cutting board slides on sink ledge when sink is top-mounted or across the countertop when under-mounted

Installation Notes

Install this product according to the installation instructions.

