



Lyric[®] Workstation | K-RH23376-4PC

33" top-/undermount double-bowl kitchen sink

Features

- Accessories stack and slide to enhance food prep and cleanup
- 36" minimum base cabinet width
- Double-equal bowls
- 9" (229 mm) depth provides generous workspace
- Tightly angled fabricated corners maximize bowl space
- Colander set is dishwasher-safe
- Sink drain with strainer sold separately
- Includes two-piece colander set and large acacia wood cutting board
- Three faucet holes and one accessory hole to the right



Sustainability



Available Colors/Finishes

Color tiles intended for reference only.

NA Stainless Steel



1-800-4KOHLER (1-800-456-4537)
Kohler Co. reserves the right to make revisions without notice to product specifications.
For the most current specification sheet, go to www.kohler.com USA or www.kohler.ca Canada.
6-29-2026 19:47 - US-CA

THE BOLD LOOK
OF **KOHLER**

Codes/Standards

ASME A112.19.3/CSA B45.4

Warranty

See website for detailed warranty information.

KOHLER® Stainless Steel Sinks Lifetime Limited Warranty

Technical Information

All product dimensions are nominal.

Number of Deck Holes:	4
Faucet Hole(s) Size:	1-7/16" (37 mm)
Center(s):	8" (203 mm)
Soap/Lotion Hole Size:	1-7/16" (37 mm)
Drain Hole Diameter:	3-3/4" (94 mm)
Minimum Base Cabinet Width:	36" (914 mm)
Basin Configuration:	Equal Bowls
Left Basin Length:	14-9/16" (370 mm)
Left Basin Width:	14-15/16" (379 mm)
Left Basin Depth:	9-3/16" (233 mm)
Right Basin Length:	14-9/16" (370 mm)
Right Basin Width:	14-15/16" (379 mm)
Right Basin Depth:	9-3/16" (233 mm)

Material

- Premium 18-gauge stainless steel
-

Recommended Products/Accessories

K-23381 Sink rack

K-23726 Drain treatment

K-23729 Stainless steel cleaner

K-8801 Sink drain and strainer with tailpiece

K-8799 Sink drain and strainer basket, less tailpiece

K-9000 Adjustable P-trap with tubing outlet, 1-1/2" x 1-1/2"

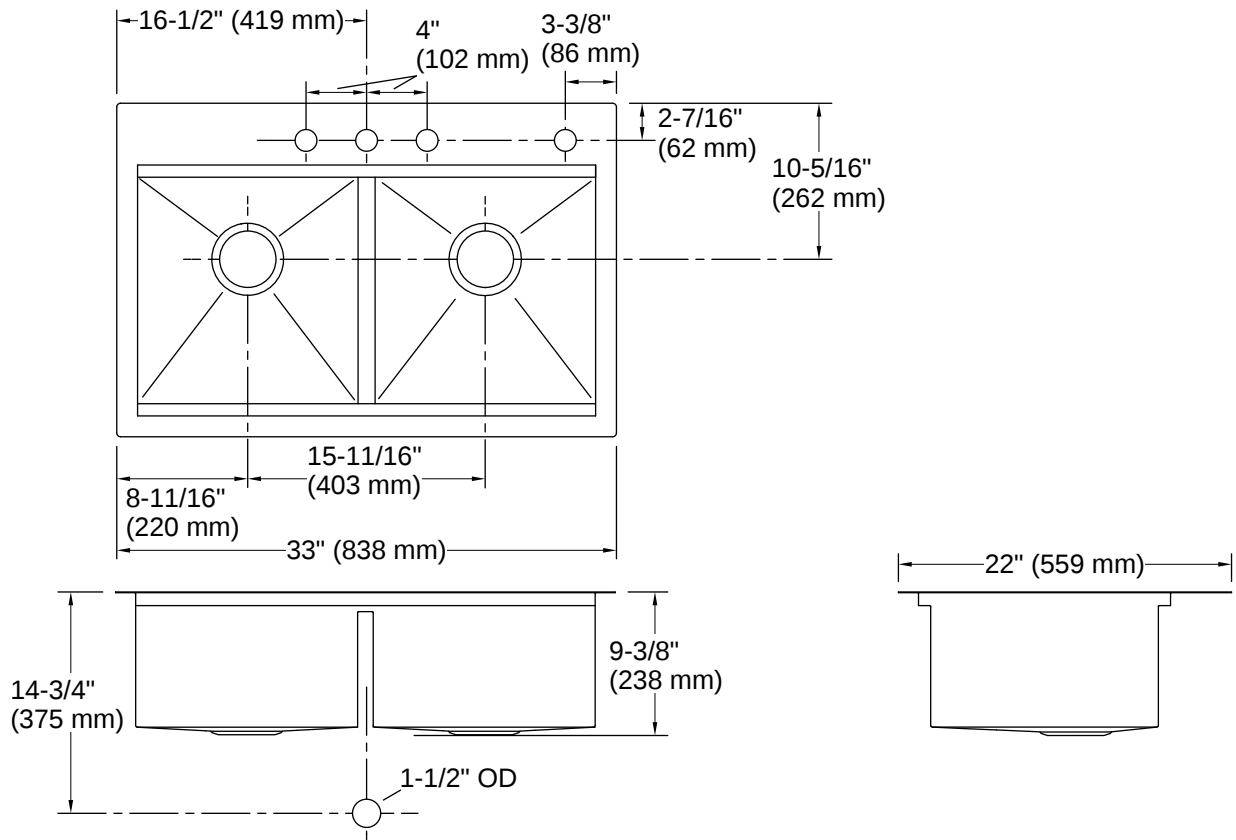


1-800-4KOHLER (1-800-456-4537)

Kohler Co. reserves the right to make revisions without notice to product specifications.

For the most current specification sheet, go to www.kohler.com USA or www.kohler.ca Canada.

6-29-2026 19:47 - US-CA



Installation

- Top-mount or undermount
- Accessories slide on sink ledges when sink is top-mounted
- Cutting board slides across countertop when sink is undermounted

Installation Notes

Install this product according to the installation instructions.

NOTICE: Countertop manufacturer or cutter must use the cut-out template provided with the product, or a current one provided by Kohler Co. (call 1-800-4-KOHLER). Kohler Co. is not responsible for cutout errors when the incorrect cut-out template is used.

