



Lyric[®] Workstation | K-RH23377-1PC

20-1/2" top-/under-mount single-bowl bar sink

Features

- Includes large acacia wood cutting board to enhance food prep and cleanup
- 24" minimum base cabinet width
- Single bowl
- 7-1/2" (191 mm) depth
- One faucet hole
- Tightly angled fabricated corners maximize bowl space
- Sink drain with strainer sold separately



Sustainability



Available Colors/Finishes

Color tiles intended for reference only.

 NA Stainless Steel



1-800-4KOHLER (1-800-456-4537)
Kohler Co. reserves the right to make revisions without notice to product specifications.
For the most current specification sheet, go to www.kohler.com USA or www.kohler.ca Canada.
5-30-2026 4:22 - US-CA

THE BOLD LOOK
OF **KOHLER**

Codes/Standards

ASME A112.19.3/CSA B45.4

Technical Information

All product dimensions are nominal.

Number of Deck Holes:	1
Faucet Hole(s) Size:	1-7/16" (37 mm)
Drain Hole Diameter:	3-3/4" (94 mm)
Minimum Base Cabinet Width:	23-1/2" (597 mm)
Basin Configuration:	Single Bowl
Basin Length:	18-1/4" (464 mm)
Basin Width:	16-9/16" (420 mm)
Basin Depth:	7-1/2" (191 mm)

Material

- Premium 18-gauge stainless steel
-

Recommended Products/Accessories

K-23726 Drain treatment

K-23729 Stainless steel cleaner

K-8799 Sink drain and strainer basket, less tailpiece

K-8801 Sink drain and strainer with tailpiece

K-23468 Sink rack

K-21614 Colander set

K-11352 Disposal flange with stopper

Warranty

See website for detailed warranty information.

KOHLER® Stainless Steel Sinks Lifetime Limited Warranty

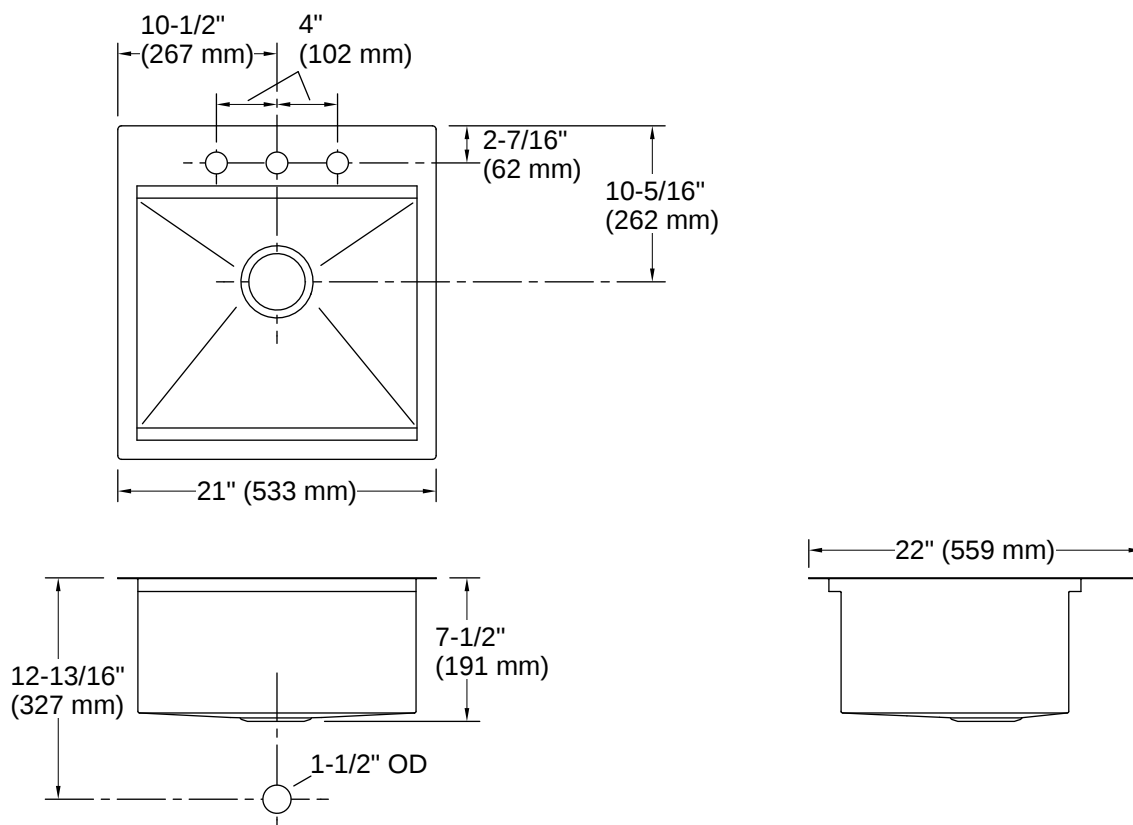


1-800-4KOHLER (1-800-456-4537)

Kohler Co. reserves the right to make revisions without notice to product specifications.

For the most current specification sheet, go to www.kohler.com USA or www.kohler.ca Canada.

5-30-2026 4:22 - US-CA



Installation

- Top-mount or undermount
- Cutting board slides on sink ledge when sink is top-mounted or across the countertop when under-mounted

Installation Notes

Install this product according to the installation instructions.

NOTICE: Countertop manufacturer or cutter must use the cut-out template provided with the product, or a current one provided by Kohler Co. (call 1-800-4-KOHLER). Kohler Co. is not responsible for cutout errors when the incorrect cut-out template is used.

