

KOHLER® Faucets MasterShower® temperature and volume control valve trim

Bancroft®

K-T10594-4

Features

- Includes faceplate with handles
- Top handle controls volume
- Bottom handle controls temperature setting
- Supplied with ADA-compliant metal lever handles
- Complements Bancroft faucets and accessories

Material

- Premium material construction with metal handle ensures reliability and durability
- KOHLER® finishes resist corrosion and tarnishing

Installation

- Trim only; requires valve to complete installation (sold separately)

Required Products/Accessories

K-2976-KS 3/4# Thermostatic Mixer

or

K-2973-KS 1/2" Thermostatic Mixing Valve

Recommended Products/Accessories

K-23723 Faucet cleaner



ADA

CSA B651

OBC

Codes/Standards

ASME A112.18.1/CSA B125.1

ADA

ICC/ANSI A117.1

CSA B651

OBC

IAPMO Certification

KOHLER® Faucet Lifetime Limited Warranty

See website for detailed warranty information.

1-800-4KOHLER (1-800-456-4537)

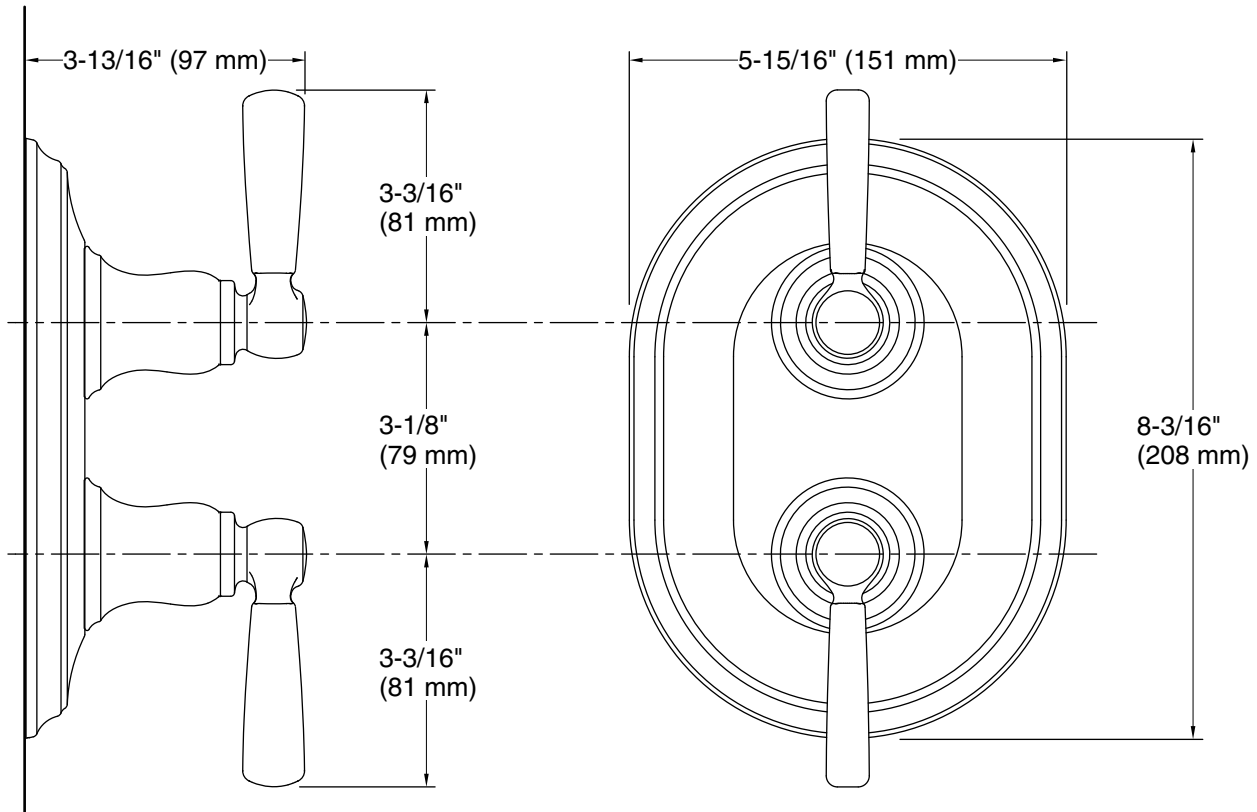
Kohler Co. reserves the right to make revisions without notice to product specifications.

For the most current Specification Sheet, go to www.kohler.com USA or www.kohler.ca Canada

10-21-2024 22:49 - US/CA

THE BOLD LOOK
OF **KOHLER**®

KOHLER Faucets MasterShower® temperature and volume control valve trim
Bancroft®
 trim
K-T10594-4



Technical Information

All product dimensions are nominal.

Handshower:

Rated maximum flow: 0 gal/min (0 l/min)

Notes

Install this product according to the installation instructions.

ADA, OBC, CSA B651 compliant when installed to the specific requirements of these regulations.