

Material

- Premium material construction for durability and reliability

Installation

- Deck- or wall-mount

Required Products/Accessories

K-302-K 1/2" Ceramic In-Wall Valve System

Recommended Products/Accessories

K-23723 Faucet cleaner



ADA

CSA B651

OBC

Codes/Standards

ASME A112.18.1/CSA B125.1

ADA

ICC/ANSI A117.1

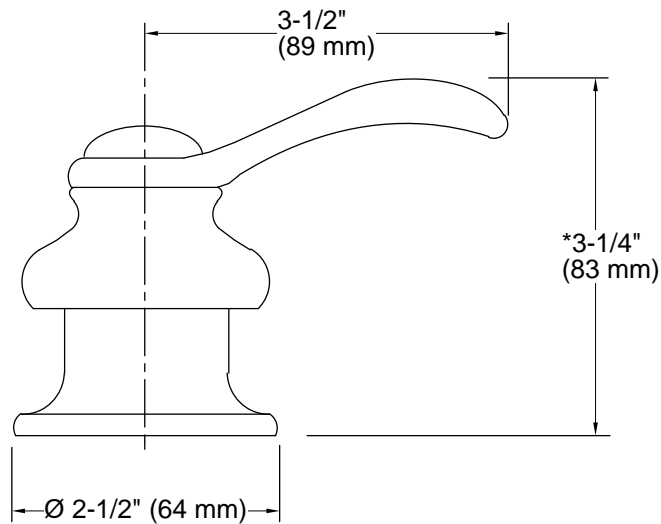
CSA B651

OBC

IAPMO Certification

KOHLER® Faucet Lifetime Limited Warranty

See website for detailed warranty information.



* Allows for +/- 1/4" (6 mm)
handle adjustment.

Technical Information

All product dimensions are nominal.

Drain included: No

Notes

Install this product according to the installation guide.

ADA, OBC, CSA B651 compliant when installed to the specific requirements of these regulations.