

Features

- Available with grooved cross handles
- 7-1/16" (179 mm) nondiverter spout with slip-fit connection
- Metal construction

Installation

- Deck-mount

Required Products/Accessories

K-300-K 1/2" ceramic high-flow valve system

or

K-300-KR 1/2" ceramic high-flow valve

or

K-301-K 3/4" high-flow bath valve

Recommended Products/Accessories

K-23723 Faucet cleaner



ADA

Codes/Standards

ASME A112.18.1/CSA B125.1

ADA

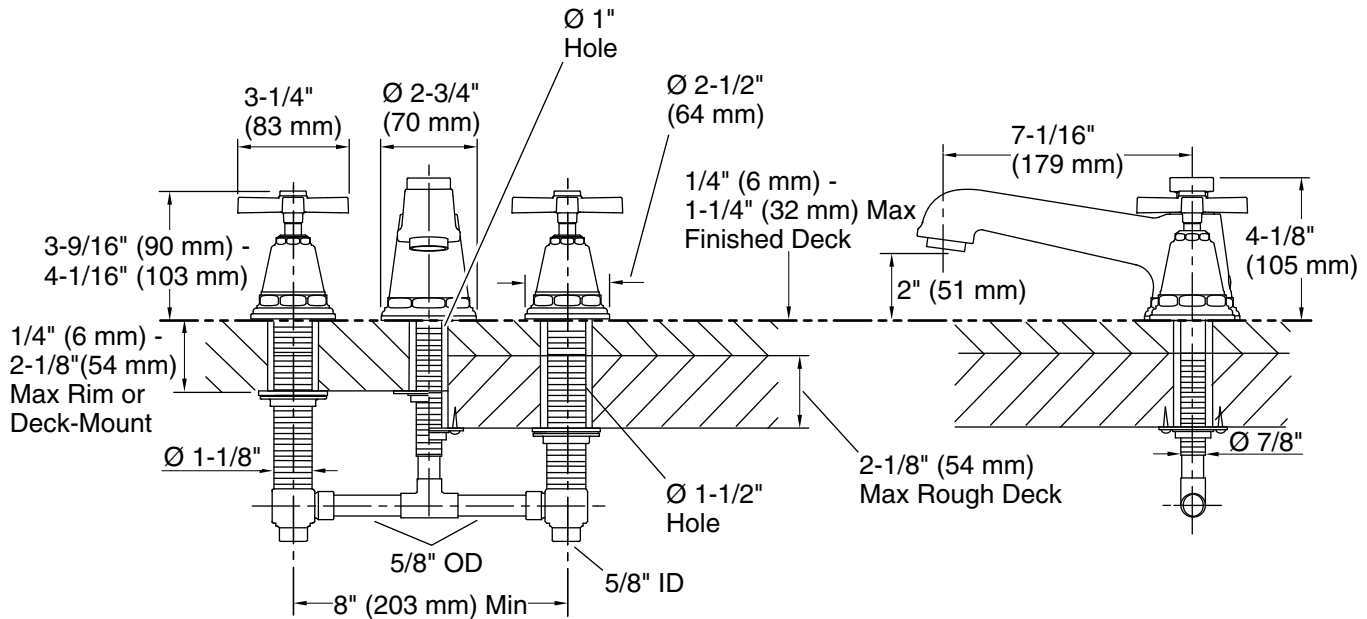
ICC/ANSI A117.1

IAPMO Certification

KOHLER® Faucet Lifetime Limited Warranty

See website for detailed warranty information.

*Dimension allows +/- 1/4" (6 mm) handle adjustment during handle trim installation.



Rim or Deck-Mount
Installation

Rough + Finished
Deck-Mount Installation

Technical Information

All product dimensions are nominal.

Drain included: No

Notes

Install this product according to the installation instructions.

ADA compliant when installed to the specific requirements of these regulations.